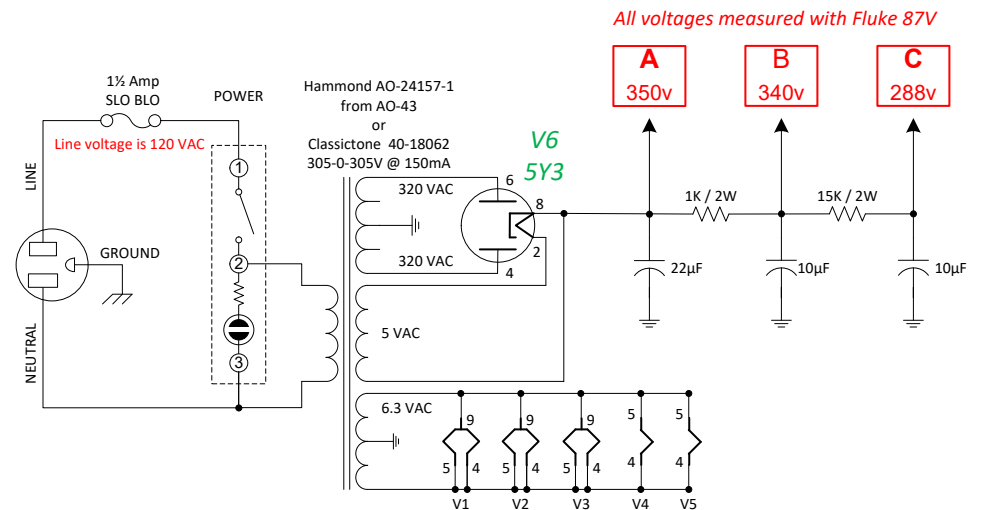
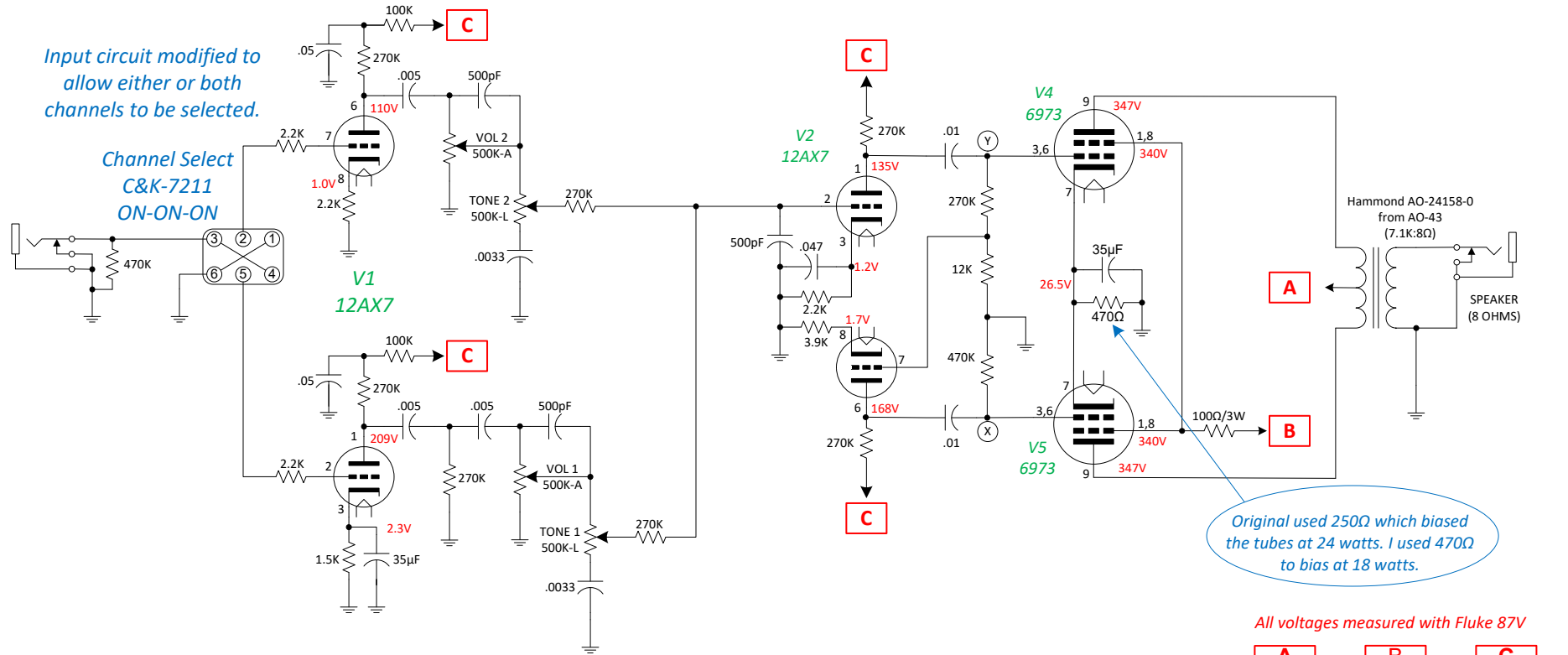


Supro Model S-6424 (no tremolo)

Drawn by Steve Luckey

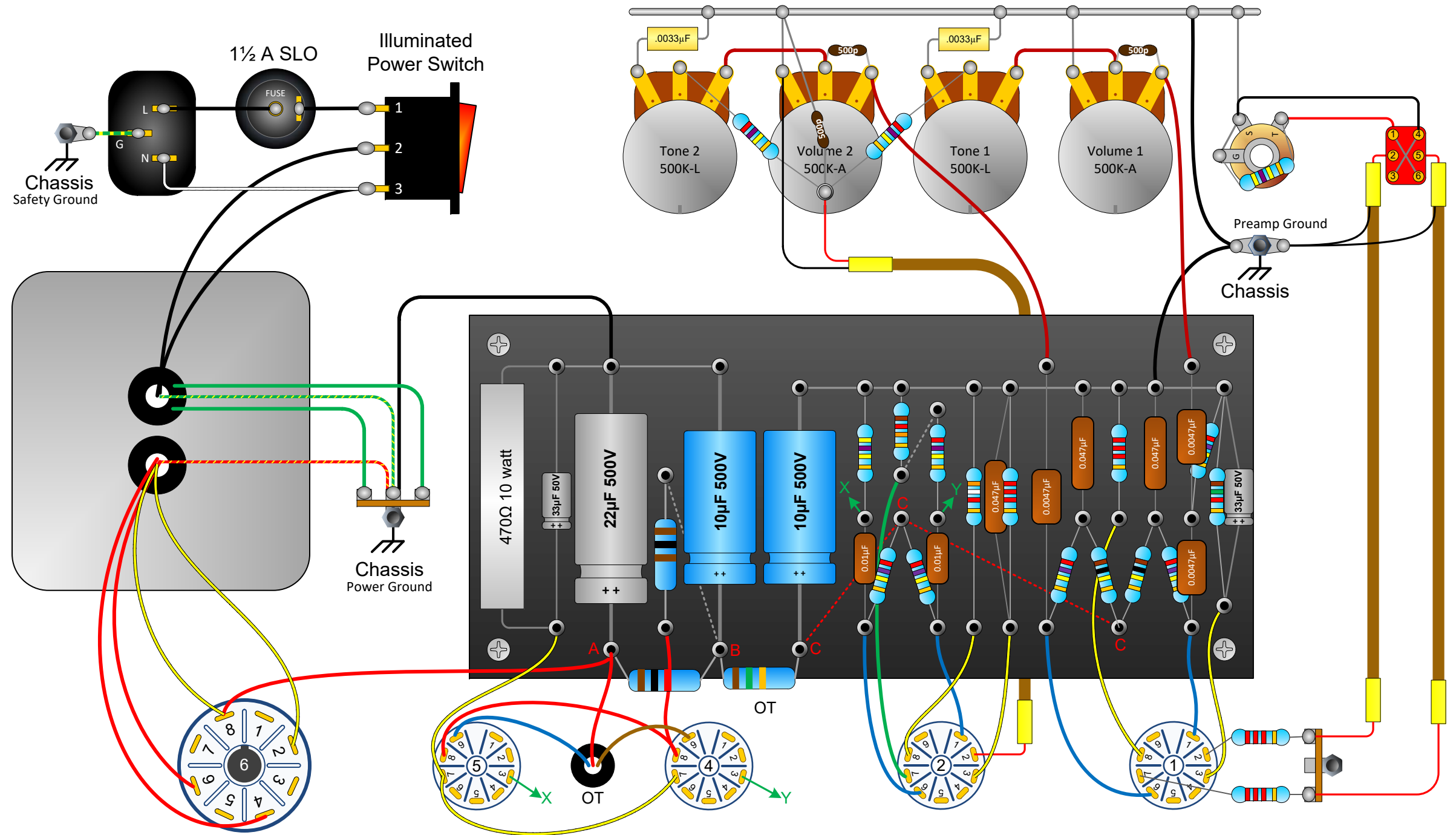
12/10/2020



Supro Model S-6424 (no tremolo)

Drawn by Steve Luckey

12/10/2020



DRILL GUIDE

INSTRUCTIONS FOR PRINTING DRILL GUIDE

- ⊕ Turret --- drill size is 3/32"
- ⊕ Standoff – drill size to fit
- ⊕ Hole for wire pass thru – drill size to fit
- Dashed lines are underboard jumpers

Board size is 3 1/8" X 6 3/4". Print this drill guide FULL SIZE on letter sized paper. Measure the board length of the printout to verify it is 6 3/4". Attach to blank board using double sided carpet tape. Use a center punch to put a mark at the cross hairs of each turret, standoff, and hole. Use a 3/32" drill bit to drill all holes. Then enlarge holes as needed for screws and wire pass thru.

