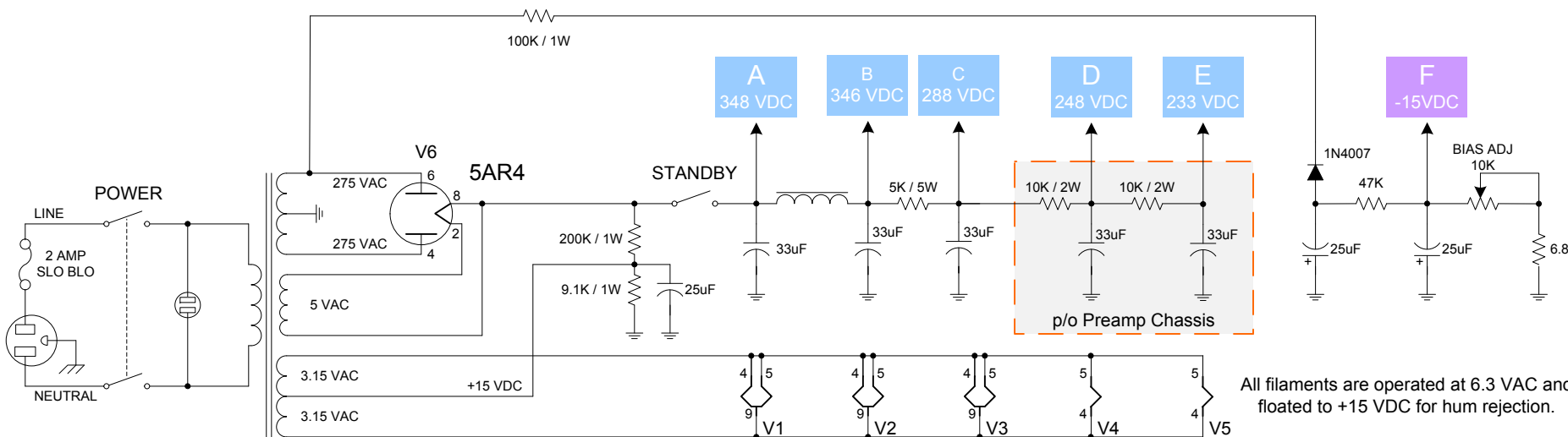


EL84 max plate dissipation is 12 Watts. Set **BIAS ADJ** to provide 8.4 Watts (70% max). Measure mV across 1 ohm cathode resistors and directly convert to mA. Measure Plate voltage.

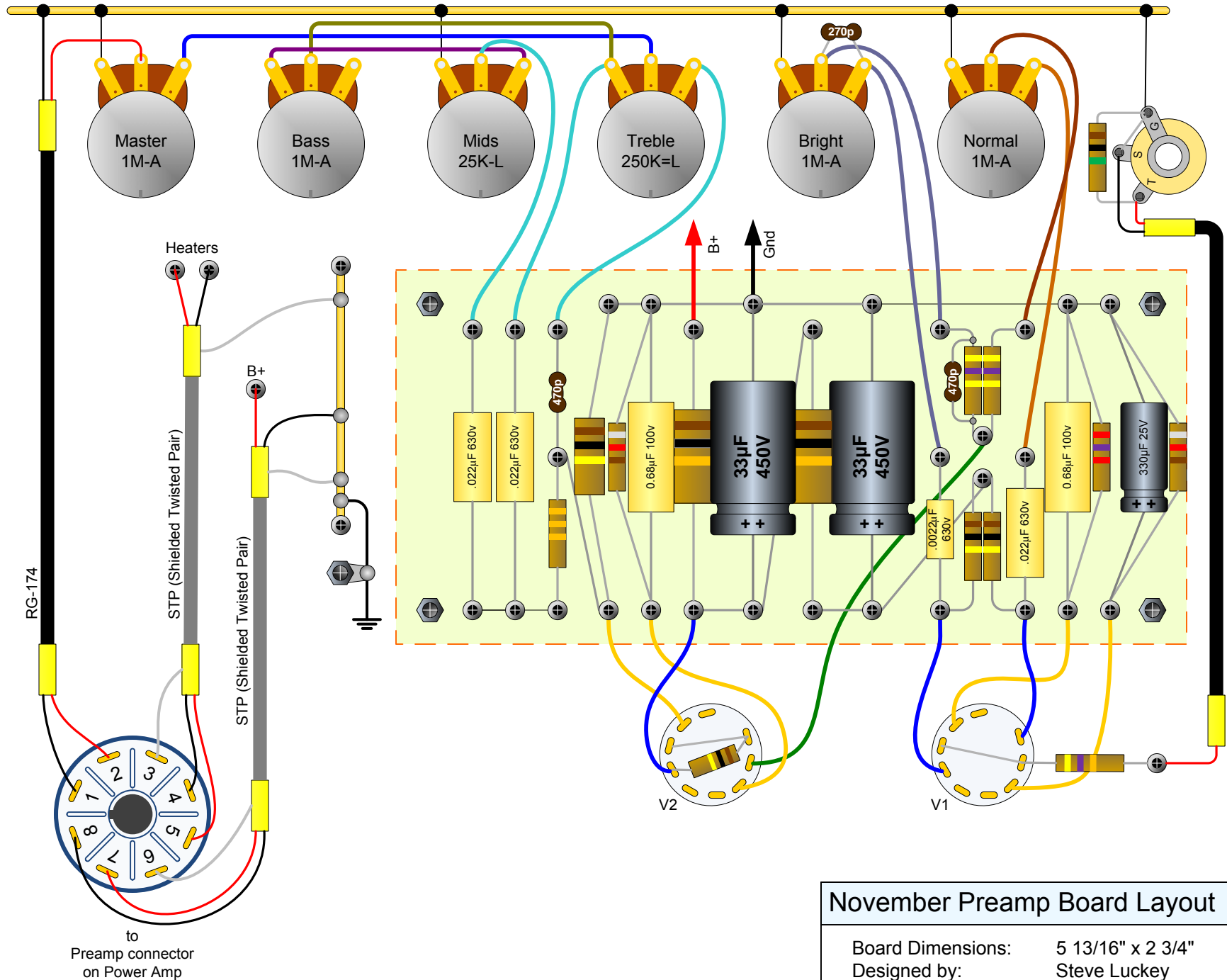
(Plate voltage) X (mA) = plate dissipation.



All filaments are operated at 6.3 VAC and floated to +15 VDC for hum rejection.

**STUFFED VOX**

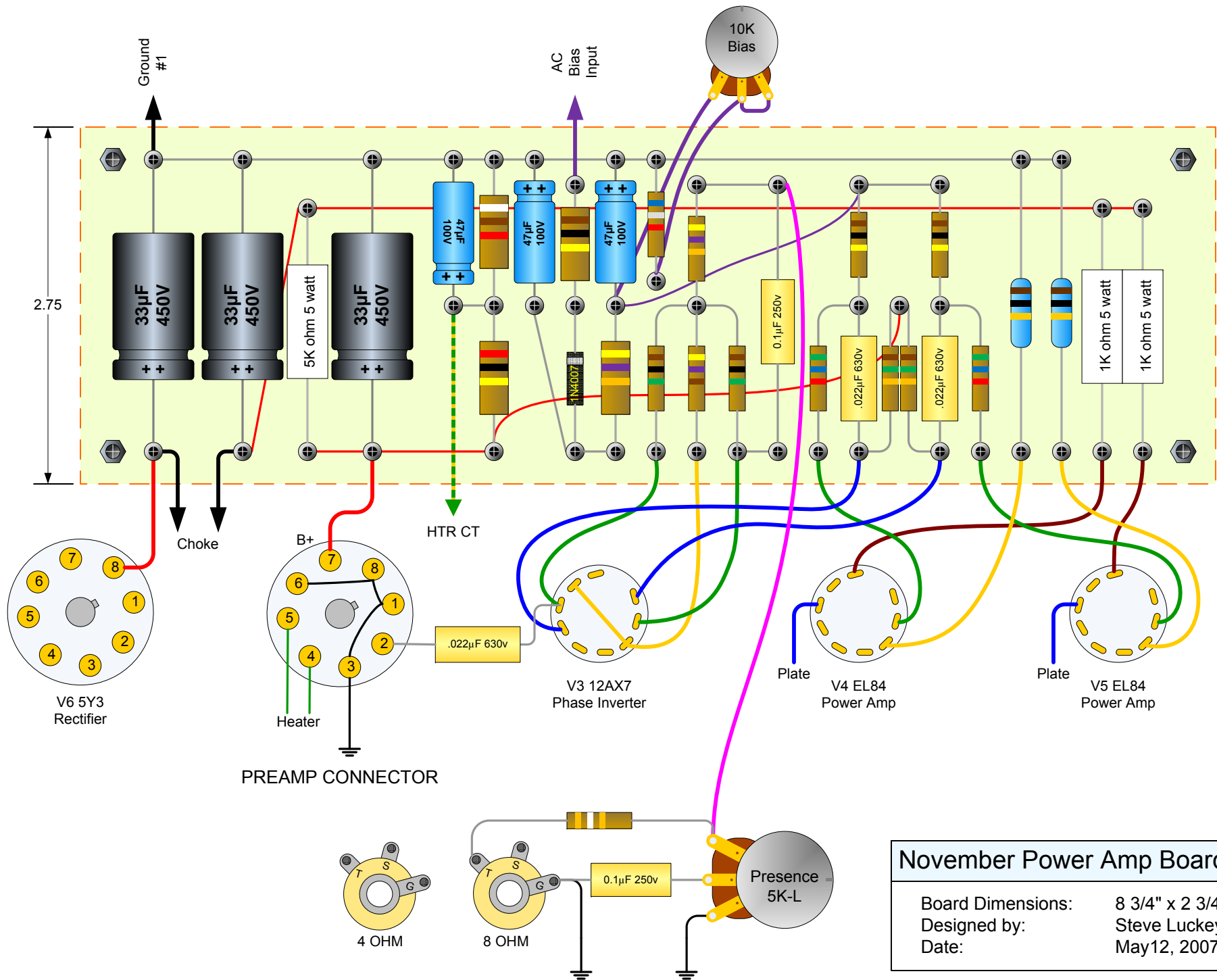
November Revision 11 from AX84.COM  
Redrawn by Steve Luckey  
Completed on February 18, 2007



to  
Preamp connector  
on Power Amp

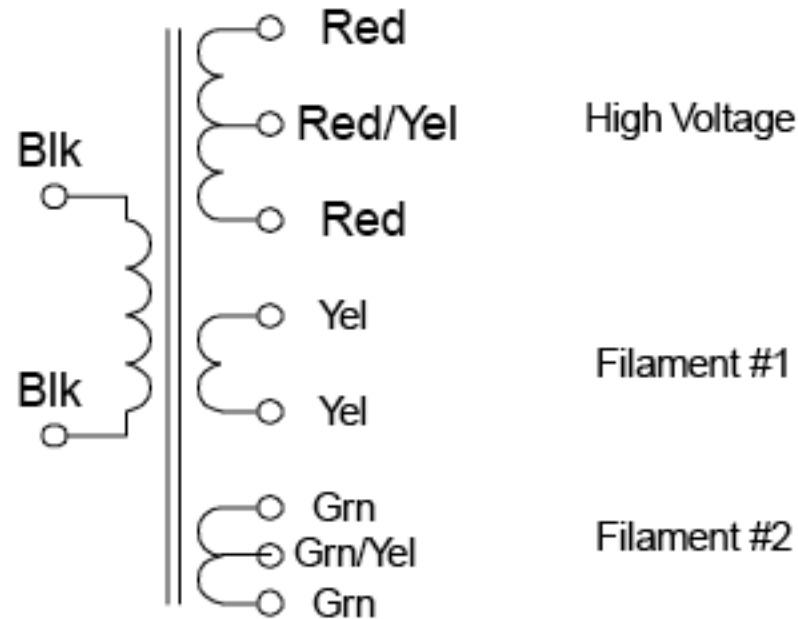
**November Preamp Board Layout**

Board Dimensions: 5 13/16" x 2 3/4"  
 Designed by: Steve Luckey  
 Date: May 12, 2007

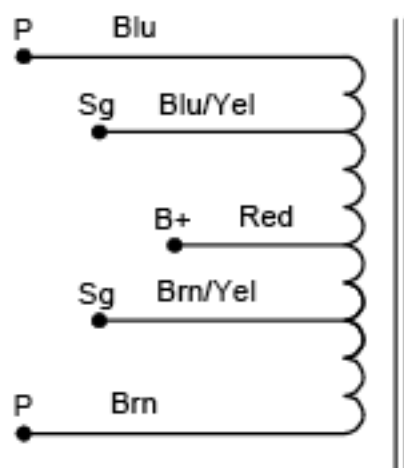


<b>November Power Amp Board</b>	
Board Dimensions:	8 3/4" x 2 3/4"
Designed by:	Steve Luckey
Date:	May12, 2007

Cat. No.	VA	Primary		Secondary		Filament #1 (VAC)	Filament #2 (VAC)	Dim. Ref.
		VAC	Hz	(R.M.S.)	DC (ma.)			
<b>270FX</b>	138	115	60	275-0-275	150	5V @ 3A	6.3V @ 5A ct	X10



Cat. No.	Audio Watts	Primary Impedance	Secondary Impedance	Wt. Lbs.
<b>1650F</b>	25	7,600 ct	4-8-16	4



### Secondary Connections

