

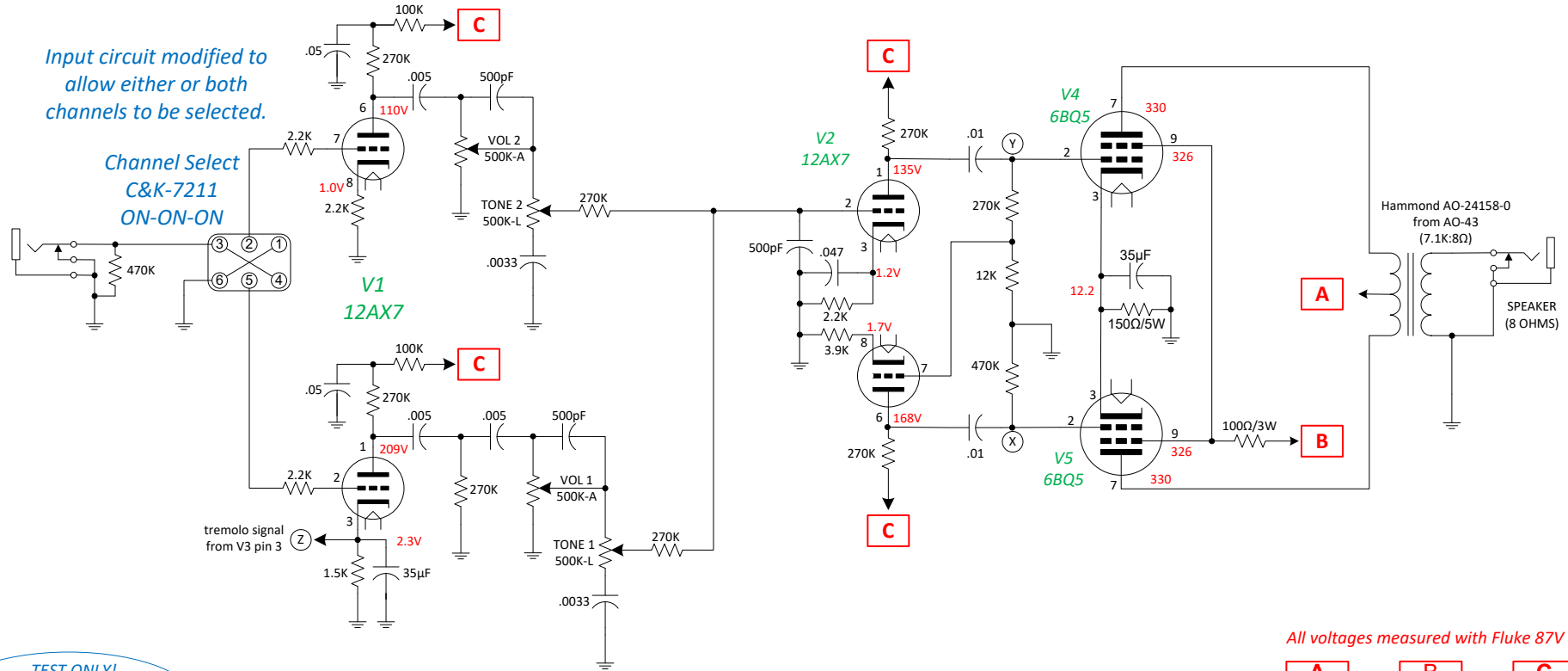
Supro Model S-6424

Drawn by Steve Luckey 12/10/2020

Modified to use 6BQ5 on 12/06/2022

Input circuit modified to allow either or both channels to be selected.

Channel Select
C&K-7211
ON-ON-ON



All voltages measured with Fluke 87V

TEST ONLY!
Ground this point to disable oscillator for steady V3 voltage readings.

