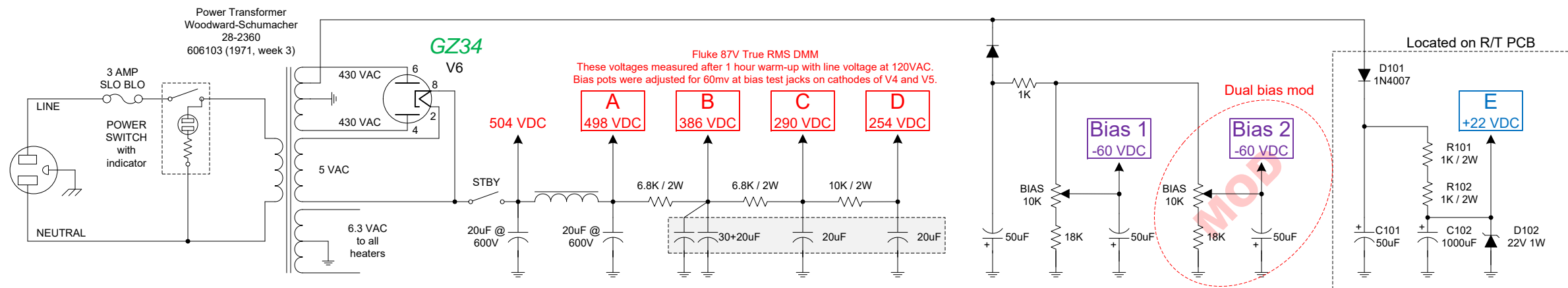
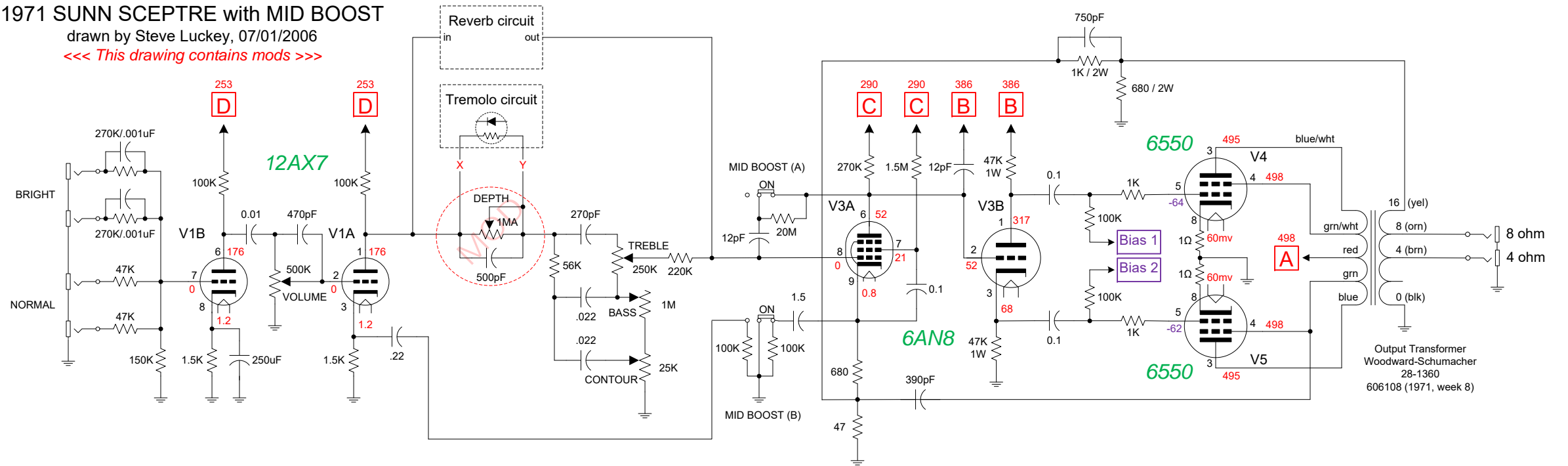


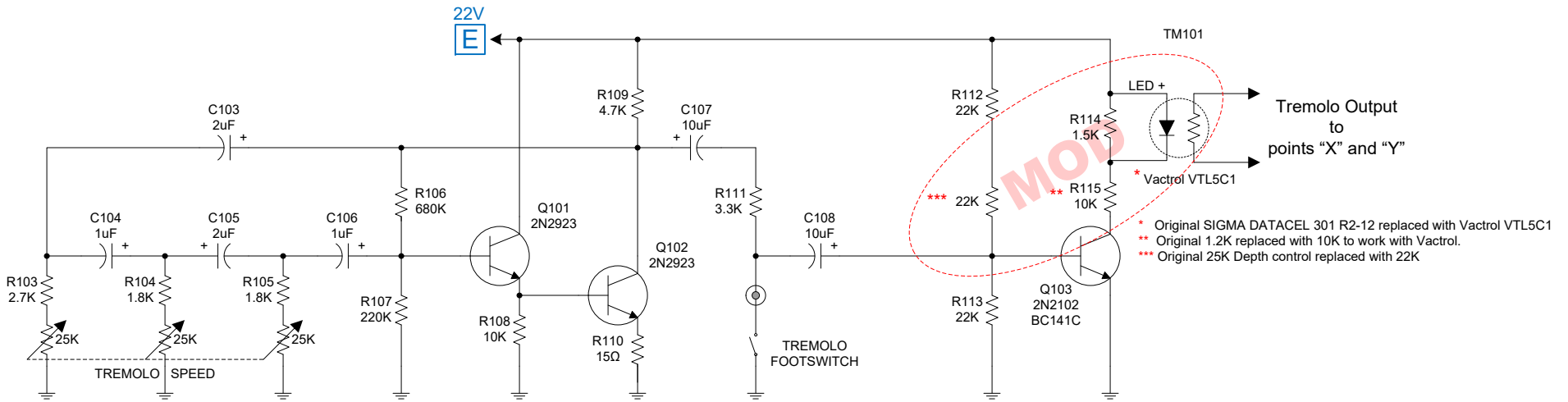
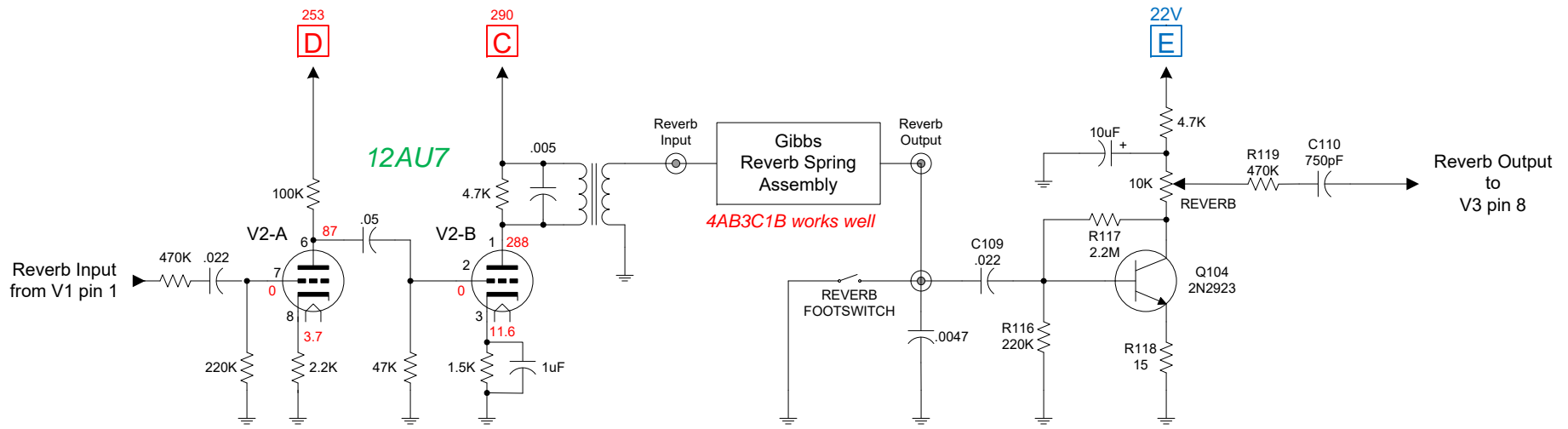
NOTES:  
 RESISTORS: 1/2W 10%  
 CAPACITORS IN MICROFARADS  
 MIDBOOST SWITCH I-A, I-B, I-C ON COMMON SHAFT  
 I-A OPEN WHEN I-B & I-C CLOSED

# 1971 SUNN SCEPTRE with MID BOOST

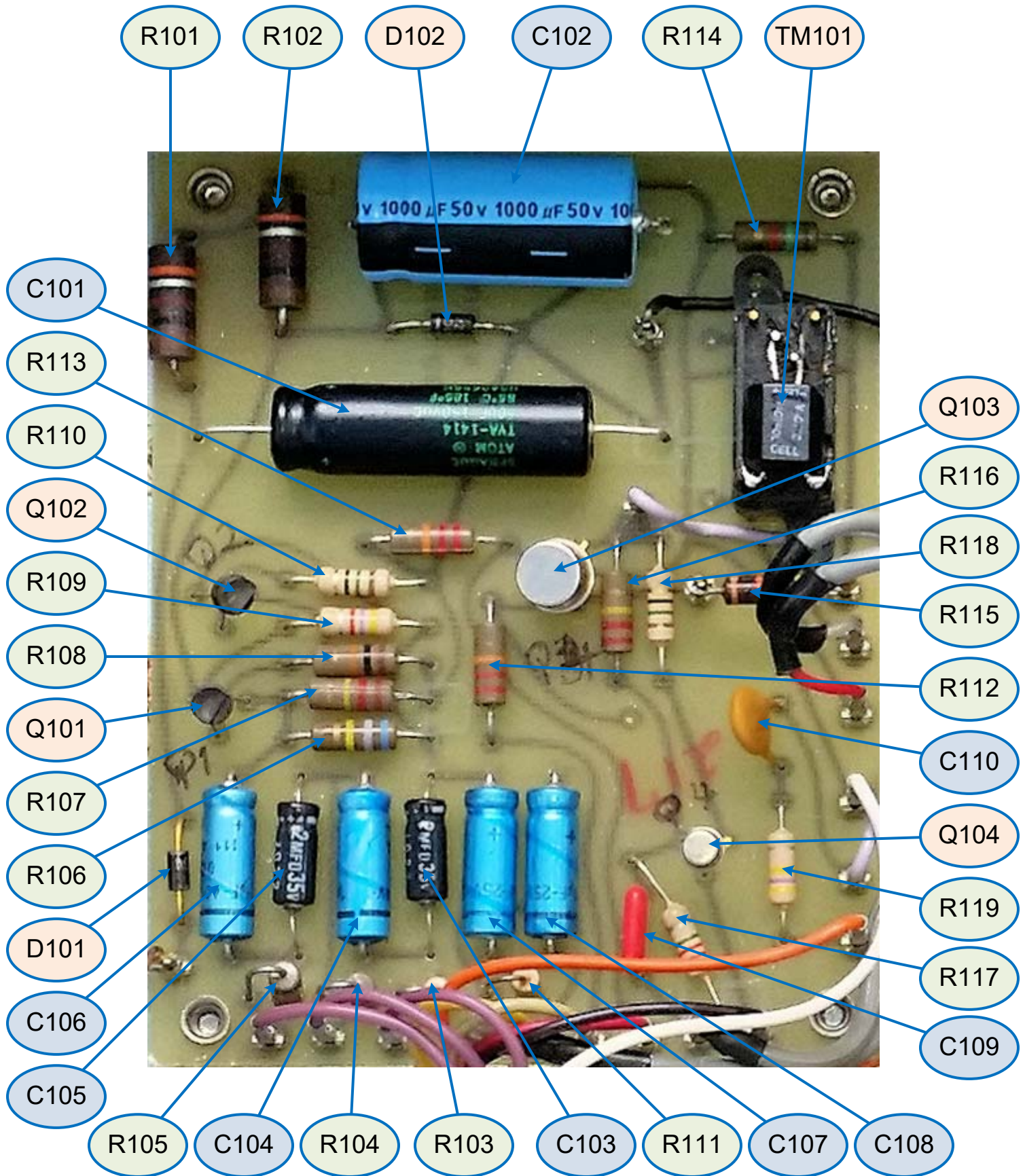
drawn by Steve Luckey, 07/01/2006

<<< This drawing contains mods >>>





Components with series 100 part designations are located on the R/T PCB



# 1971 Sunn Sceptre Dual Bias Mod

