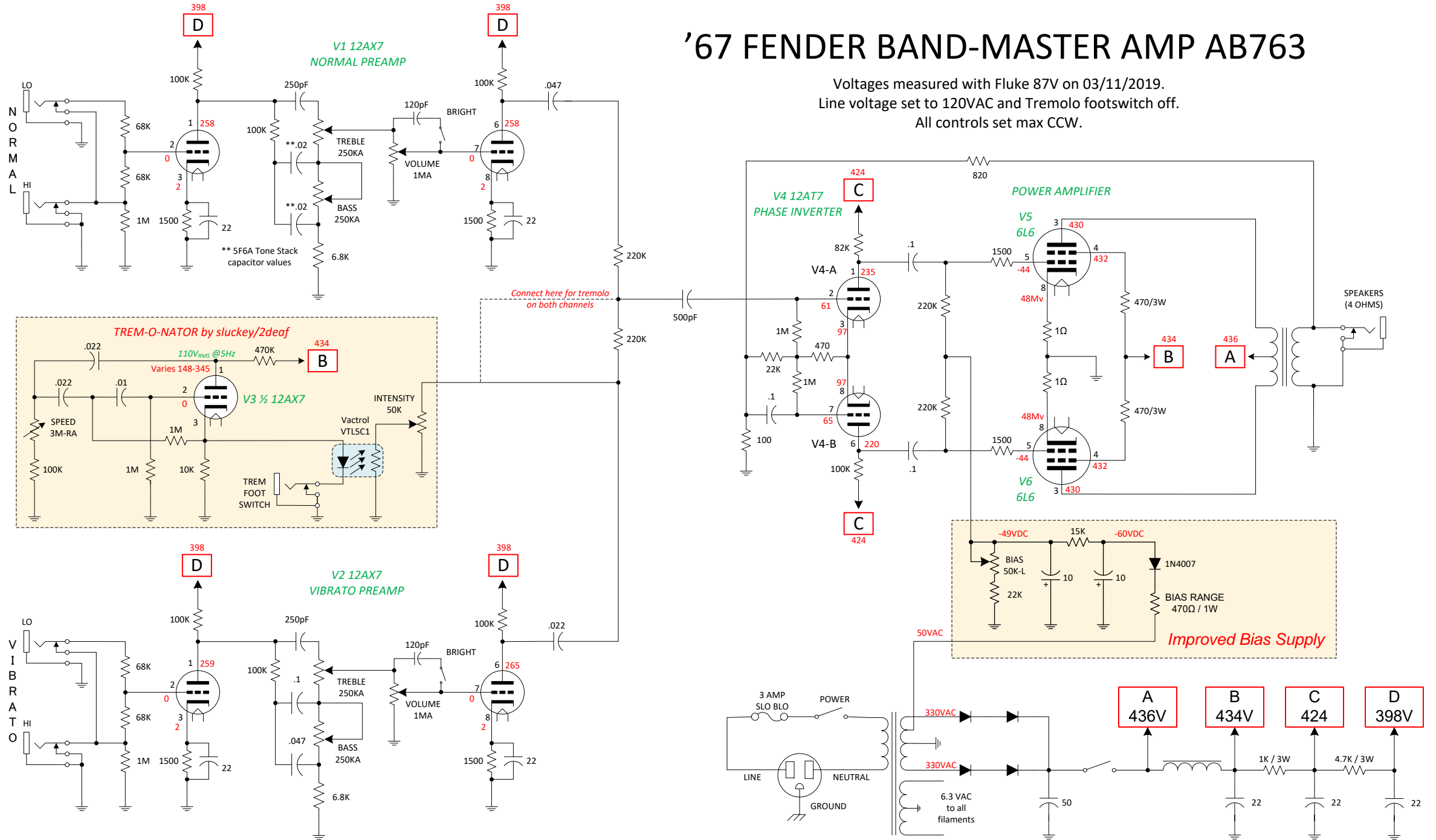




# '67 FENDER BAND-MASTER AMP AB763

Voltages measured with Fluke 87V on 03/11/2019.  
Line voltage set to 120VAC and Tremolo footswitch off.  
All controls set max CCW.



# '67 Band-Master

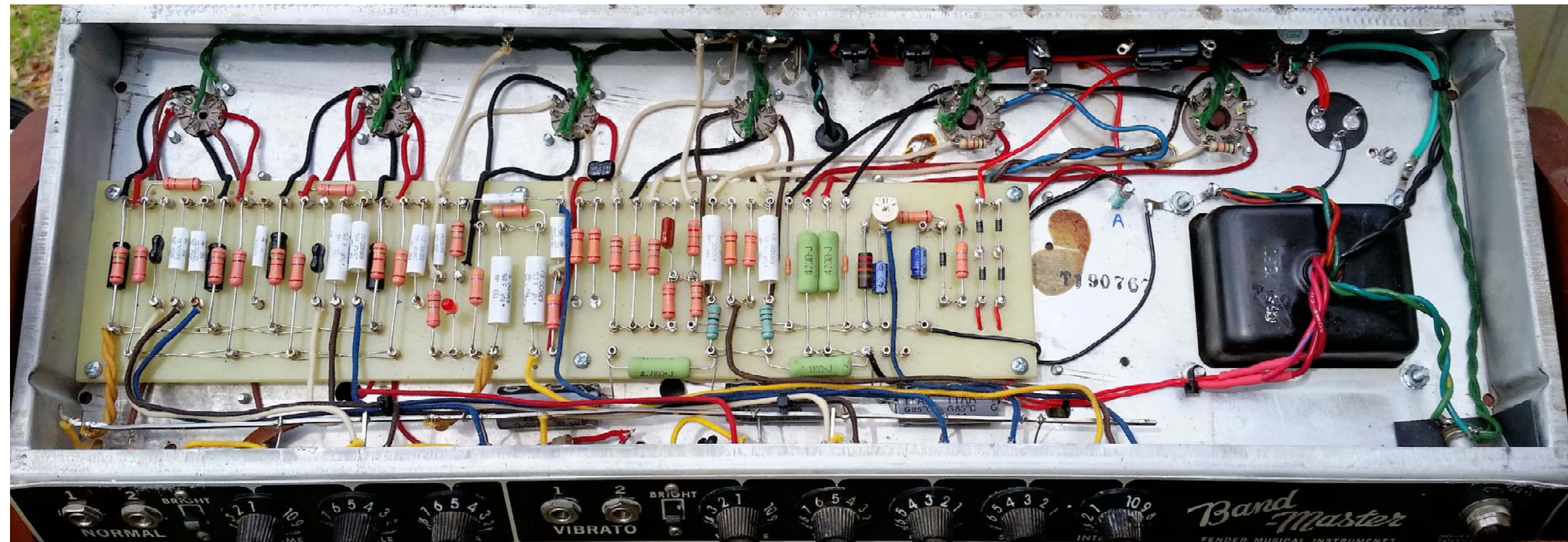
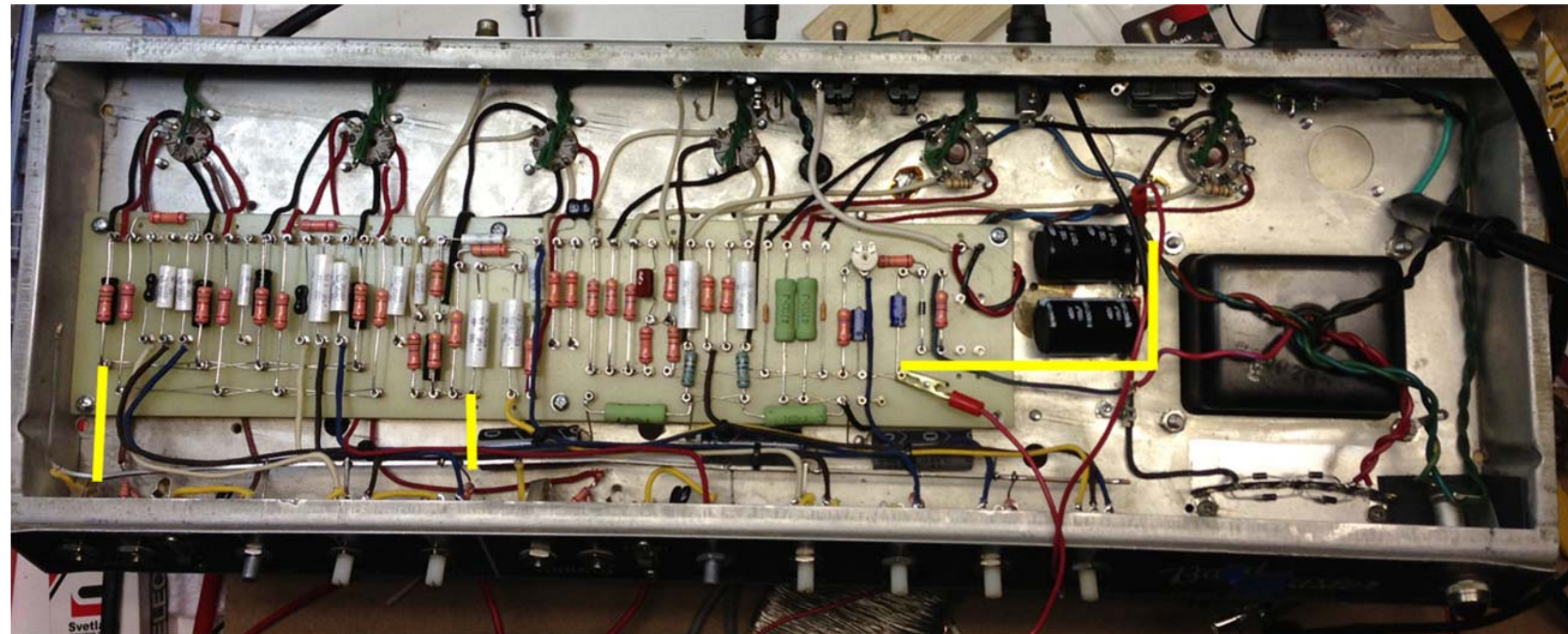
Original project by dbishopbliss, Oct, 2013  
Revised by sluckey, Mar, 2019

## As found issues:

- Black wire on B+ diode terminal strip never soldered..
- Bad solder connection/broken lead on top 100 $\mu$ F/450V reservoir cap.
- Second bias cap positive end never soldered.
- 47K resistor in bias circuit never soldered to ground turret.
- 220K grid bias resistor for V6 never soldered.
- CHNL 1 250pF treble cap never soldered.
- 50K INT pot should be 250K.

## Changes

- Removed reservoir cap/terminal strip assembly.
- Removed diode/terminal strip assembly.
- Added cap can for reservoir cap.
- Installed diodes on board.
- Replaced INT pot with correct pot.
- Replaced 47K bias resistor with 22K for proper 6L6 bias range.
- Replaced 4.7K/25 $\mu$ F tremolo oscillator cathode components with red LED.
- Modified tremolo circuit to Trem-O-Nator circuit. (shown below)



Hoffman 6G16

Trem-O-Nator

