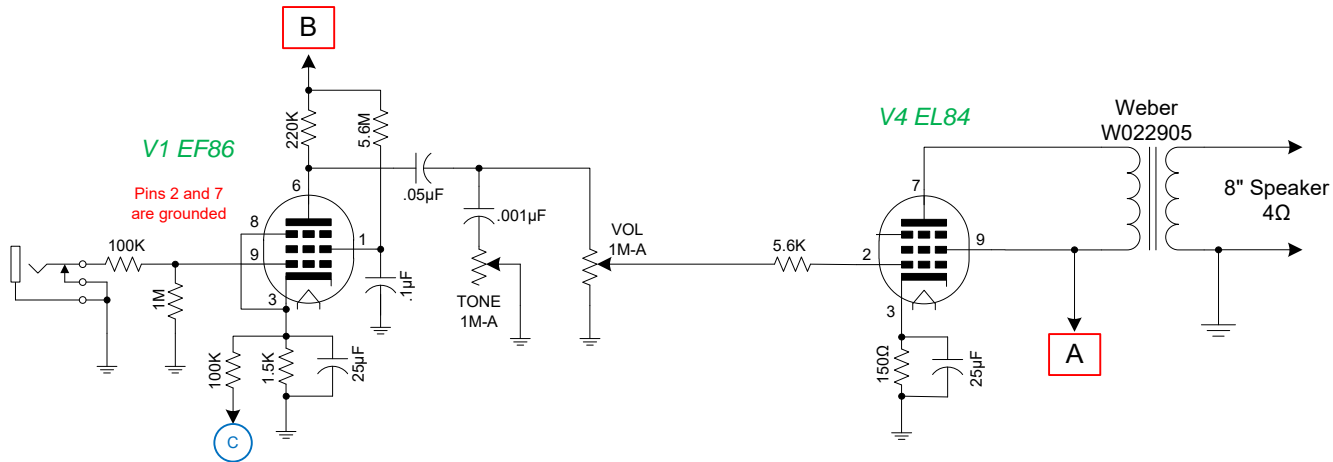
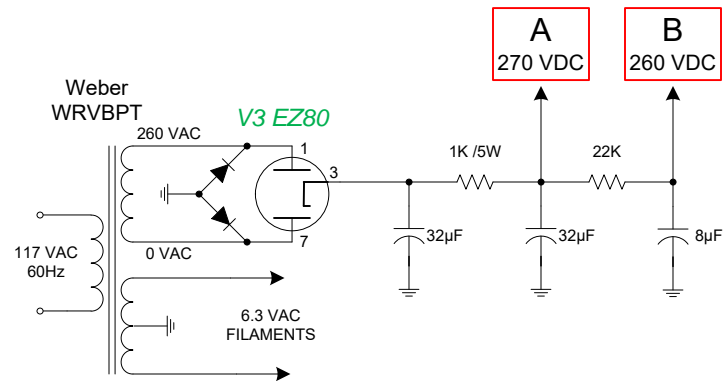
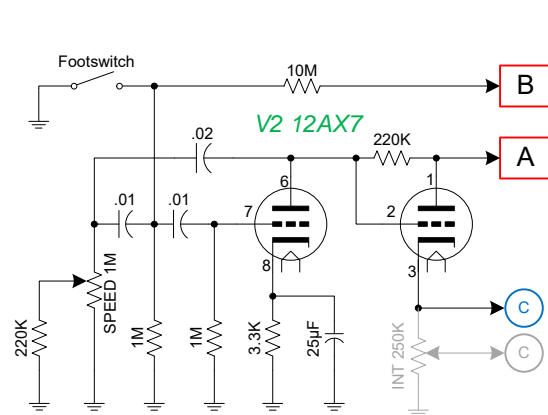


# VOX AC-4

Schematic by Steve Luckey  
07/10/2023



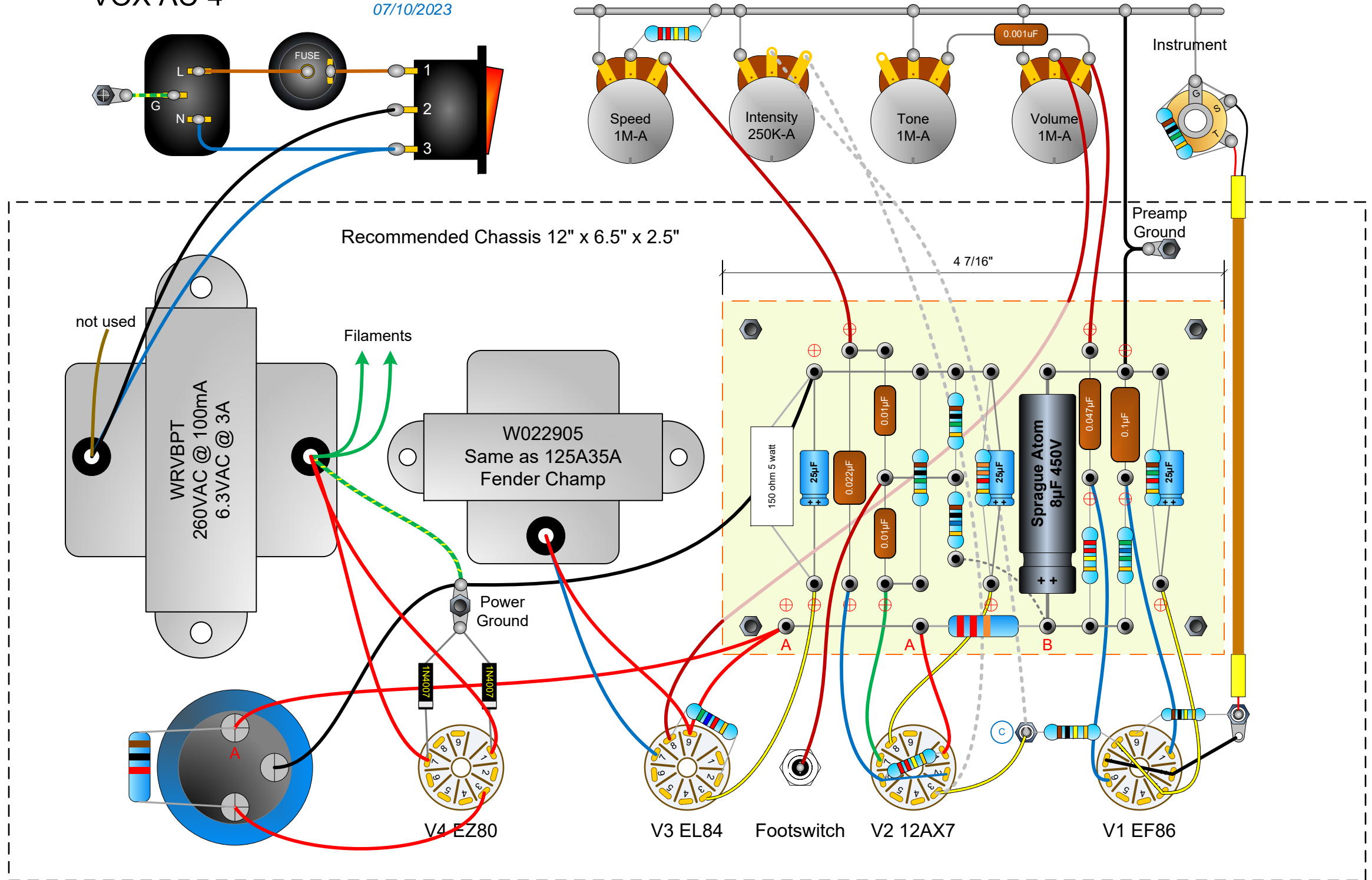
The original circuit had no INTENSITY pot. If desired connect C to pot wiper.



If using a transformer with a center tap on the high voltage winding, ie, 260-0-260, just remove the two diodes and connect the center tap to ground.

# VOX AC-4

Layout by Steve Luckey  
07/10/2023



# VOX

## NO. V-1-1

### MODEL AC-4 AMPLIFIER

AMERICAN TUBE NUMBER IN PARENTHESIS

