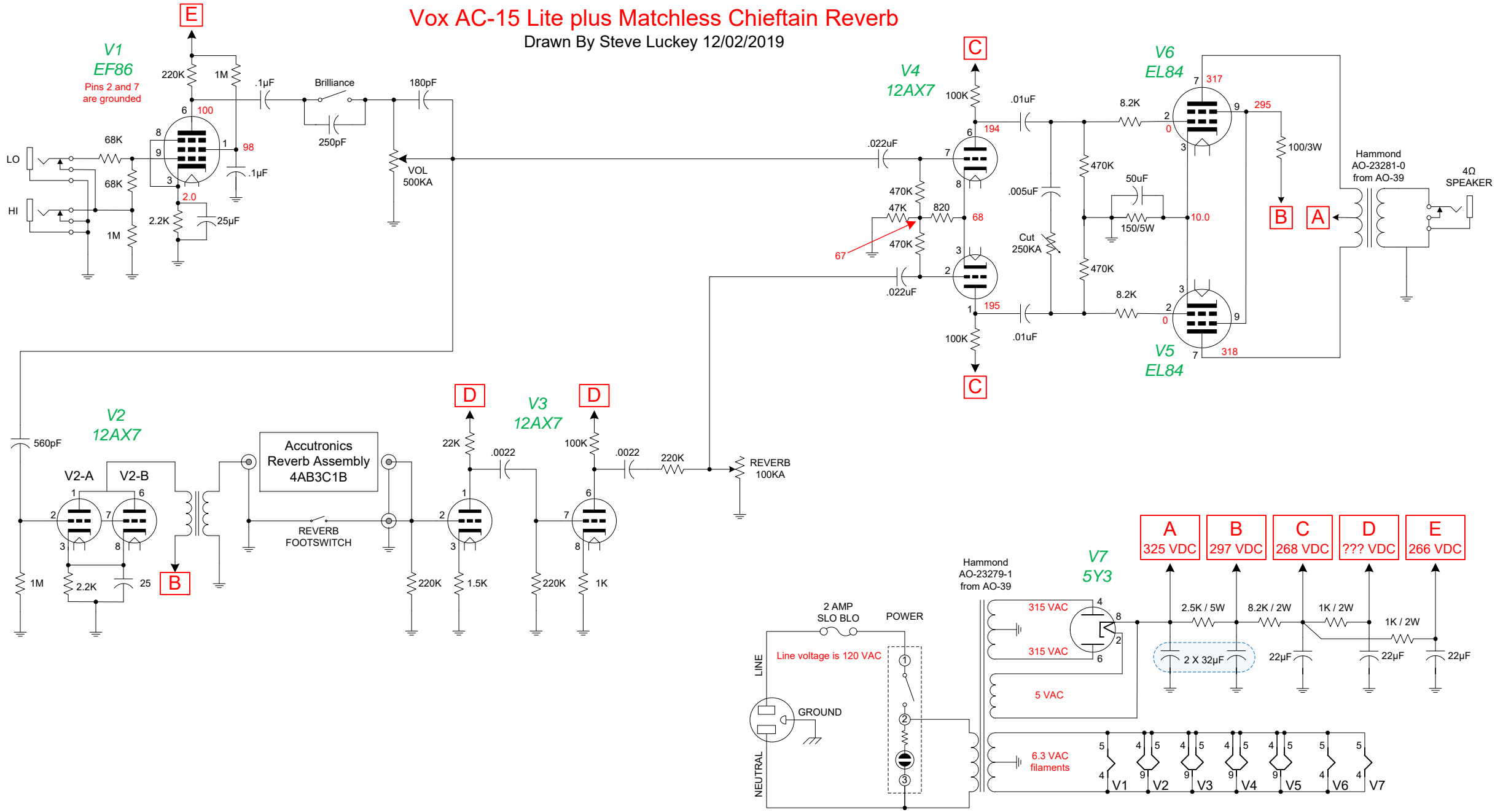


Vox AC-15R

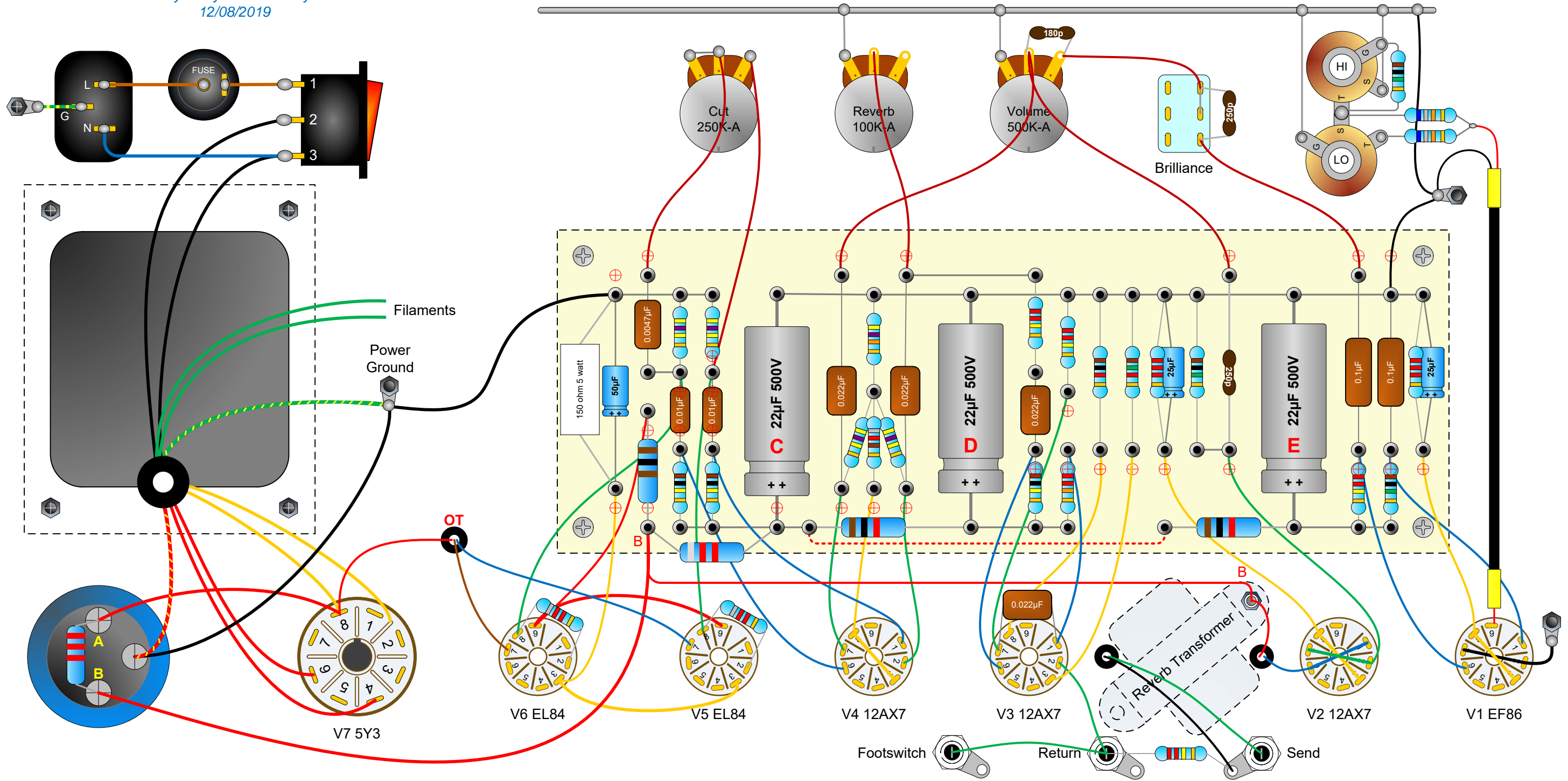
Vox AC-15 Lite plus Matchless Chieftain Reverb

Drawn By Steve Luckey 12/02/2019



VOX AC-15R

Layout by Steve Luckey
12/08/2019

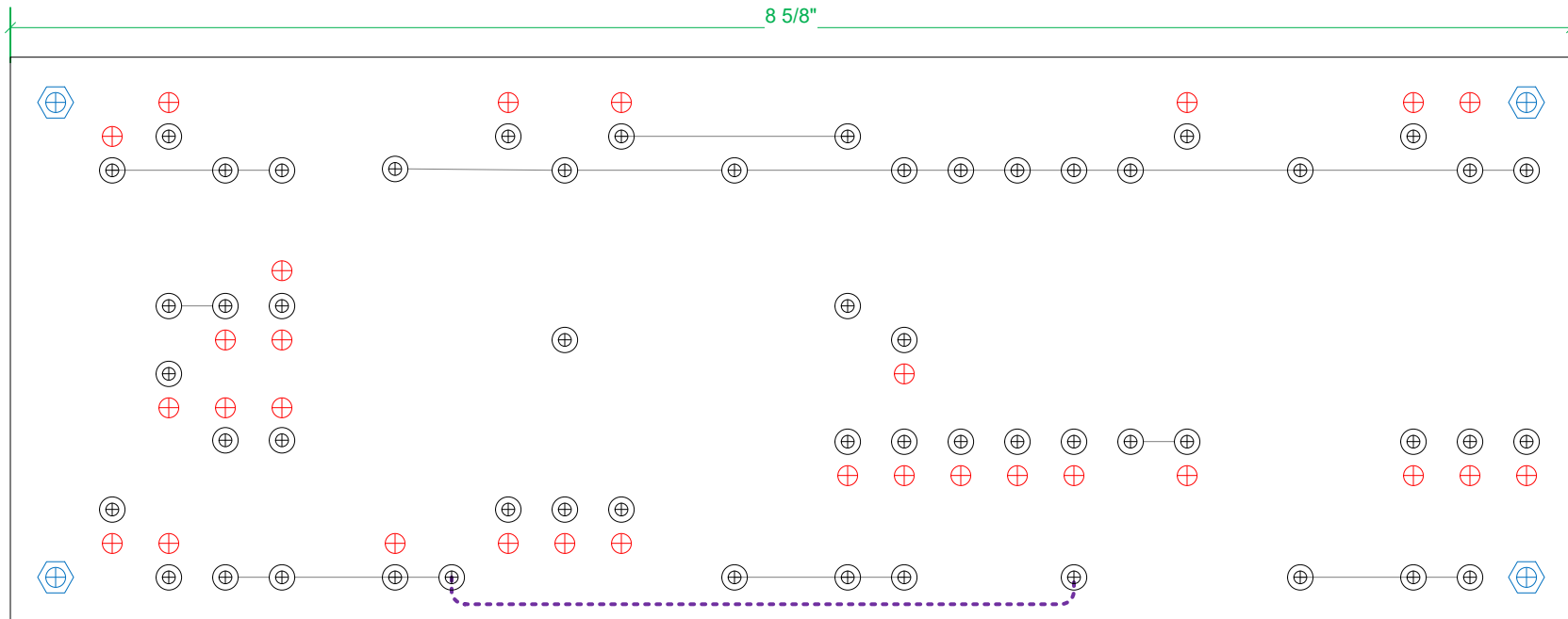


DRILL GUIDE

INSTRUCTIONS FOR PRINTING DRILL GUIDE

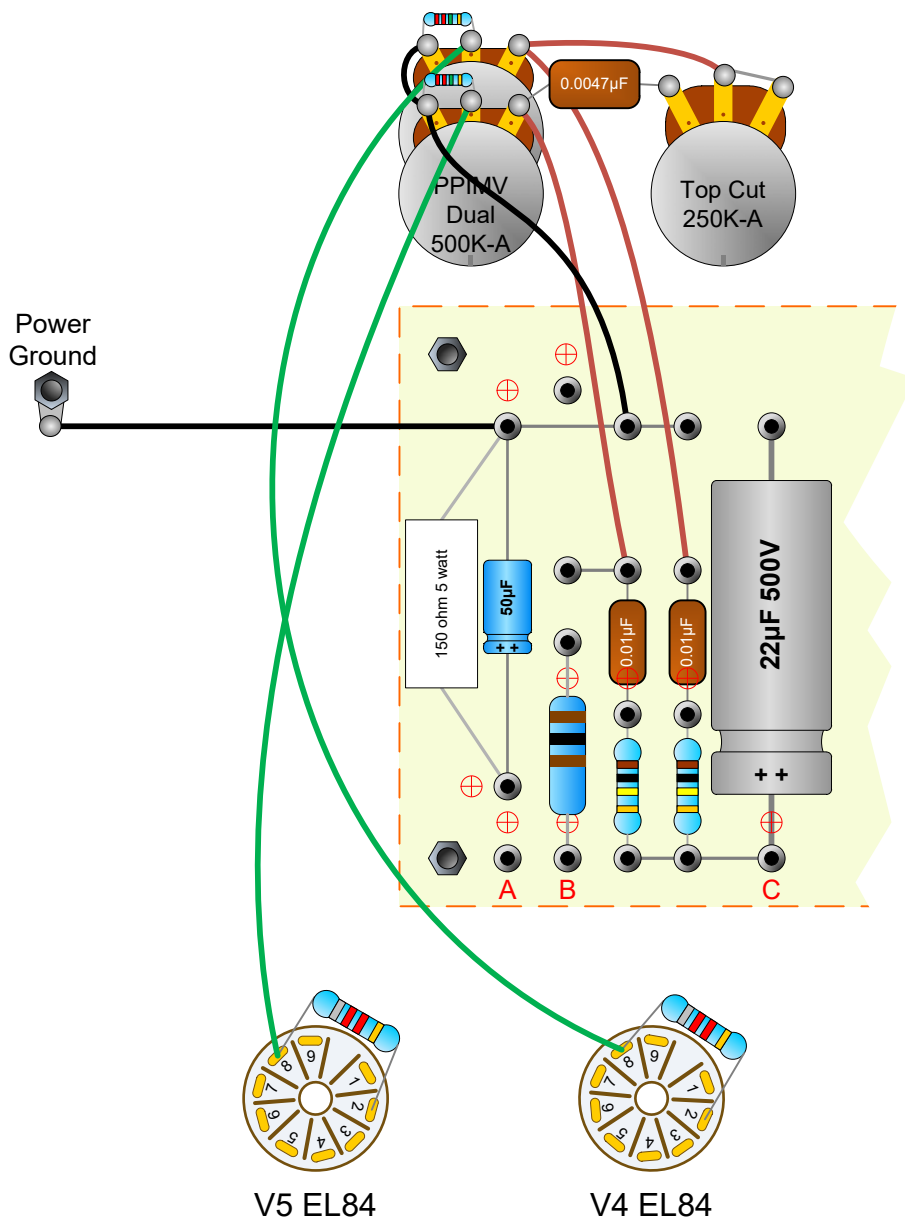
- ⊕ Turret --- drill size is 3/32"
- ⊕ Standoff – drill size to fit
- ⊕ Hole for wire pass thru – drill size to fit
- Dashed lines are underboard jumpers

Board size is 3 1/8" X 8 5/8". Print this drill guide FULL SIZE on letter sized paper. Use one template as a drill guide. The other template will be used for installing jumpers. Measure the board length of the printout to verify it is 8 5/8". Attach to blank board using double sided carpet tape. Use a center punch to put a mark at the cross hairs of each turret, standoff, and hole. Use a 3/32" drill bit to drill all holes. Then enlarge holes as needed for screws and wire pass thru.



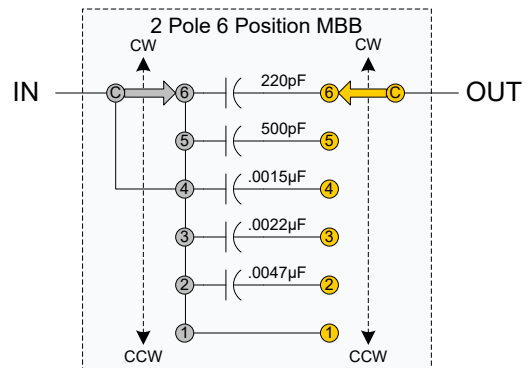
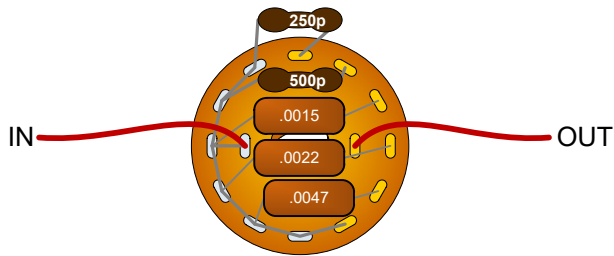
PPIMV Mod

1. Remove two 470K grid resistors.
2. Relocate .0047 μ F cap to pots.
3. Connect PPIMV ground to PA Gnd.
4. Use shielded cable if wires are long.



More Brilliance Mod

Replace the Brilliance switch with this 2 pole 6 position switch for more tone options.
The extreme positions of this switch still maintain the original tone options.



NOTE! All terminals for half the switch are jumpered together and just used as a tie point for the caps.