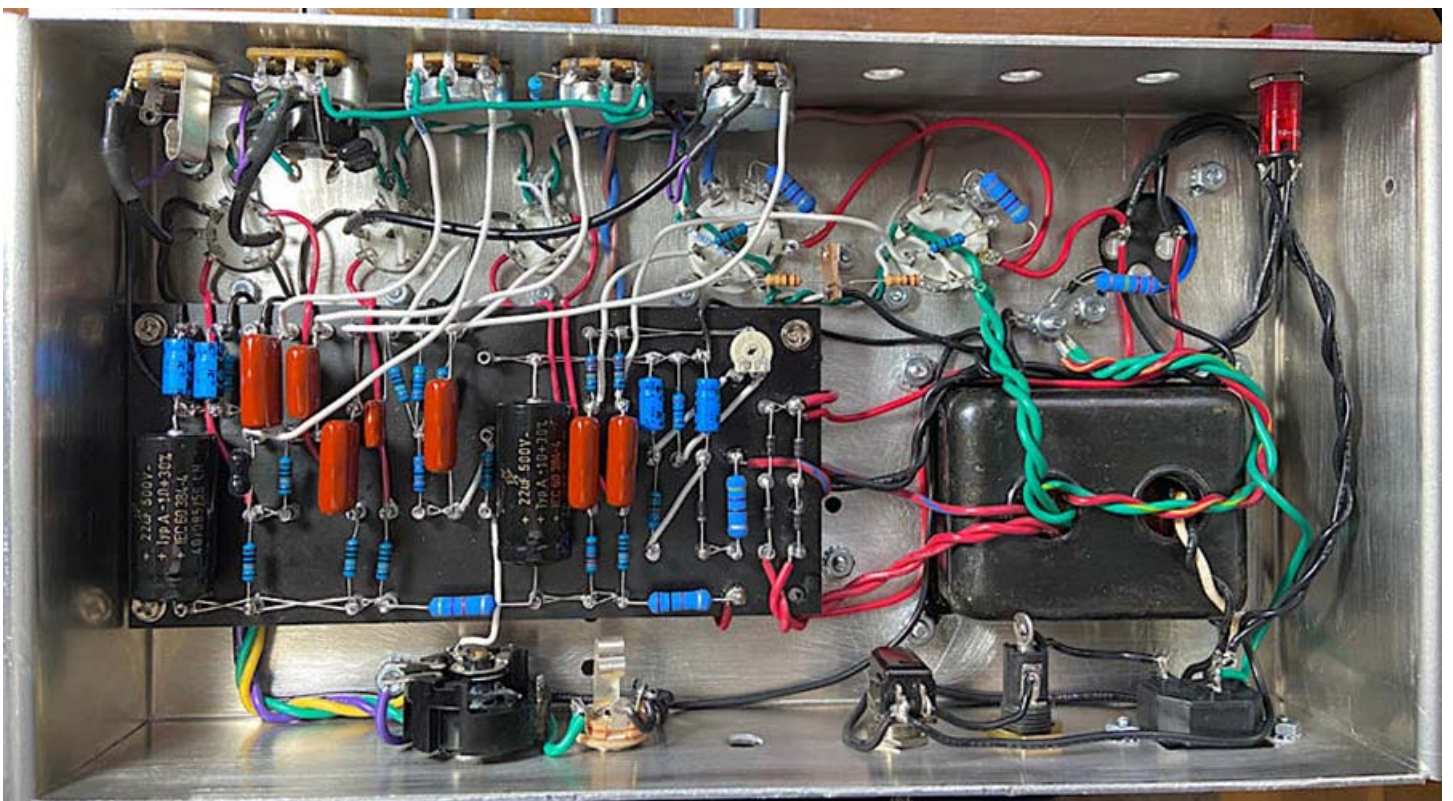
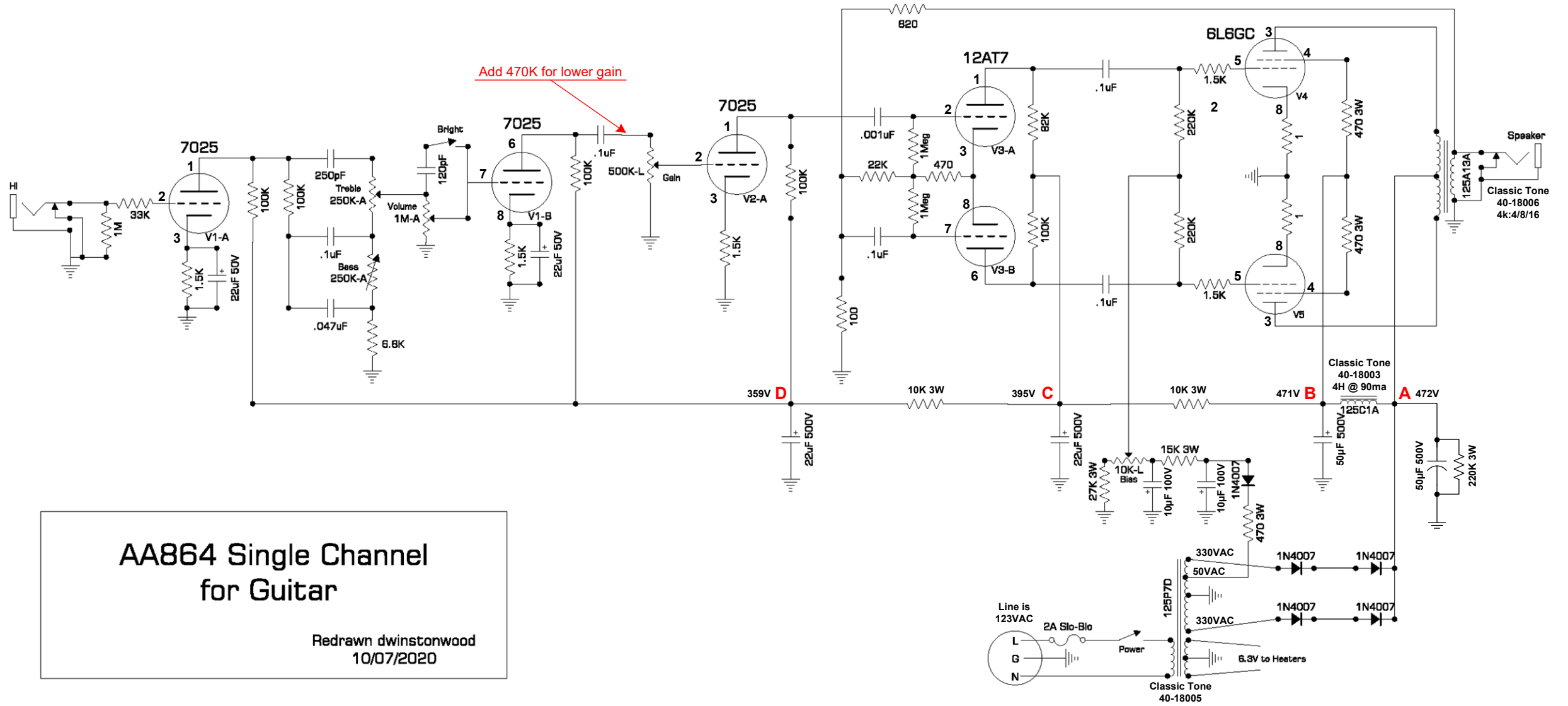


AA864 Musing

Hoffman forum member, dwinstonwood, built this project in Hoffman's pre-punched Stout Chassis, Version 2, 12" x 6-1/2" x 2-1/2". The idea started as a modified AA864 Normal channel with extra gain stage. Final version closely resembles a single channel AB763 with an extra gain stage. Schematic was provided by dwinstonwood and layout provided by sluckey. Click either picture to read the discussion on Hoffman's forum.





DRILL/JUMPER GUIDE

INSTRUCTIONS FOR USING THIS DRILL GUIDE

⊕ Turret --- drill size is 3/32"

⊕ Standoff – drill size to fit

⊕ Hole for wire pass thru – drill size to fit

--- Dashed lines are underboard jumpers

Board size is 3-1/8" X 7-1/8". Print this page FULL SIZE on letter sized paper. Use one template as a drill guide. The other template will be used for installing jumpers. Measure the board length of the printout to verify it is 7-1/8". Attach to blank board using double sided carpet tape. Use a center punch to put a mark at the cross hairs of each turret and standoff. Use a 3/32" drill bit to drill all holes. Then enlarge standoff holes as needed for screws.

