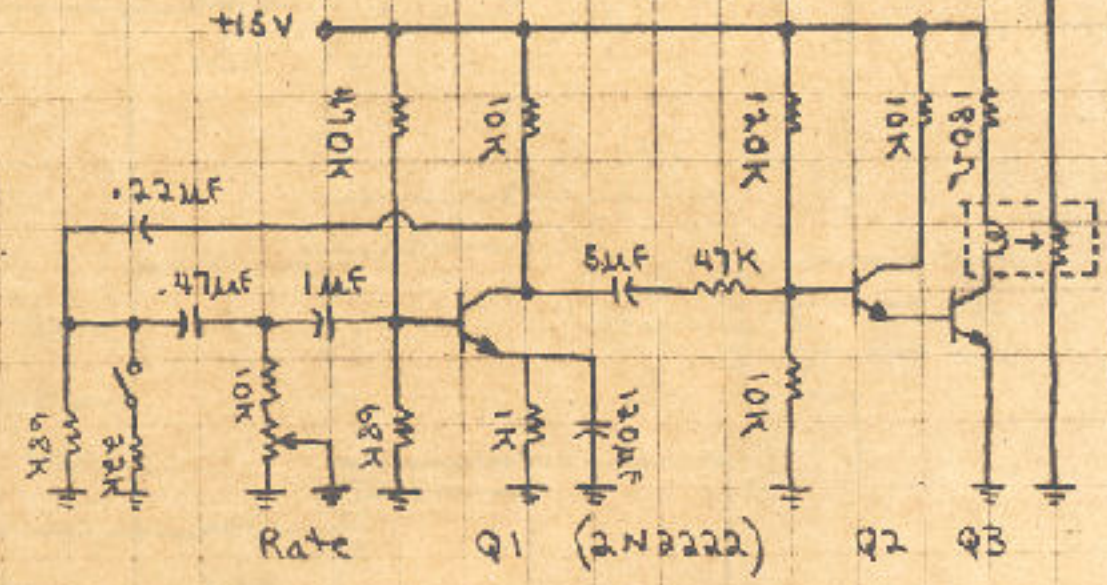


AB763 TWIN REVERB PREAMP

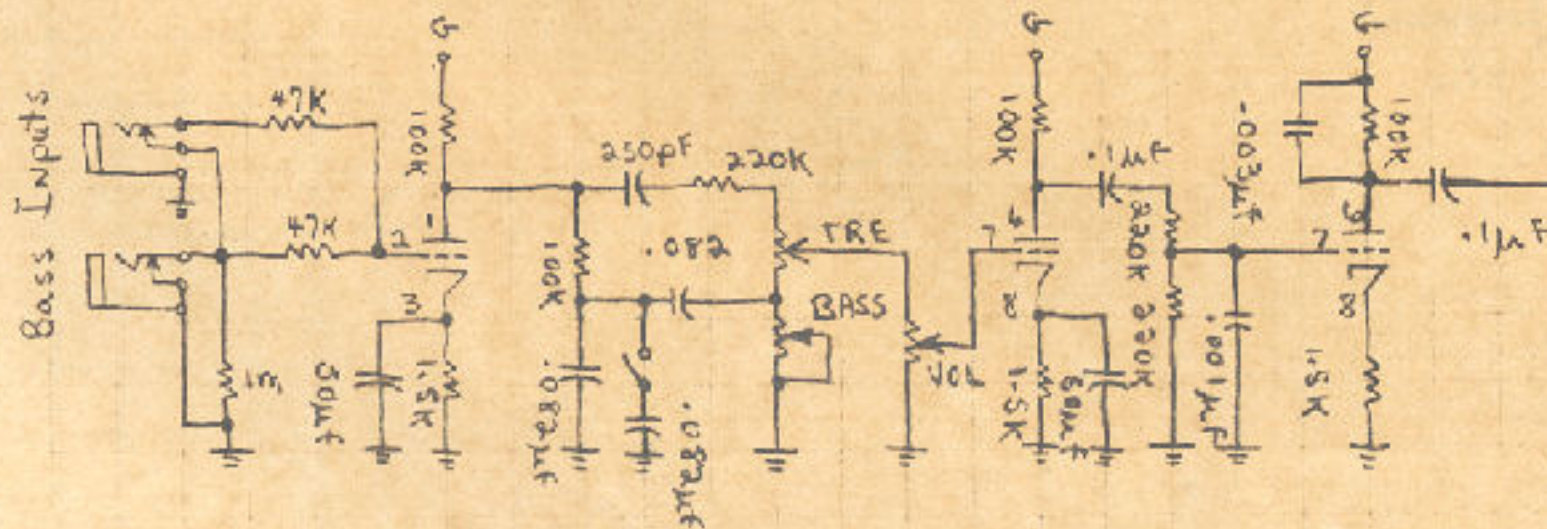


AA864 BASSMAN PREAMP

V1-A (7025)

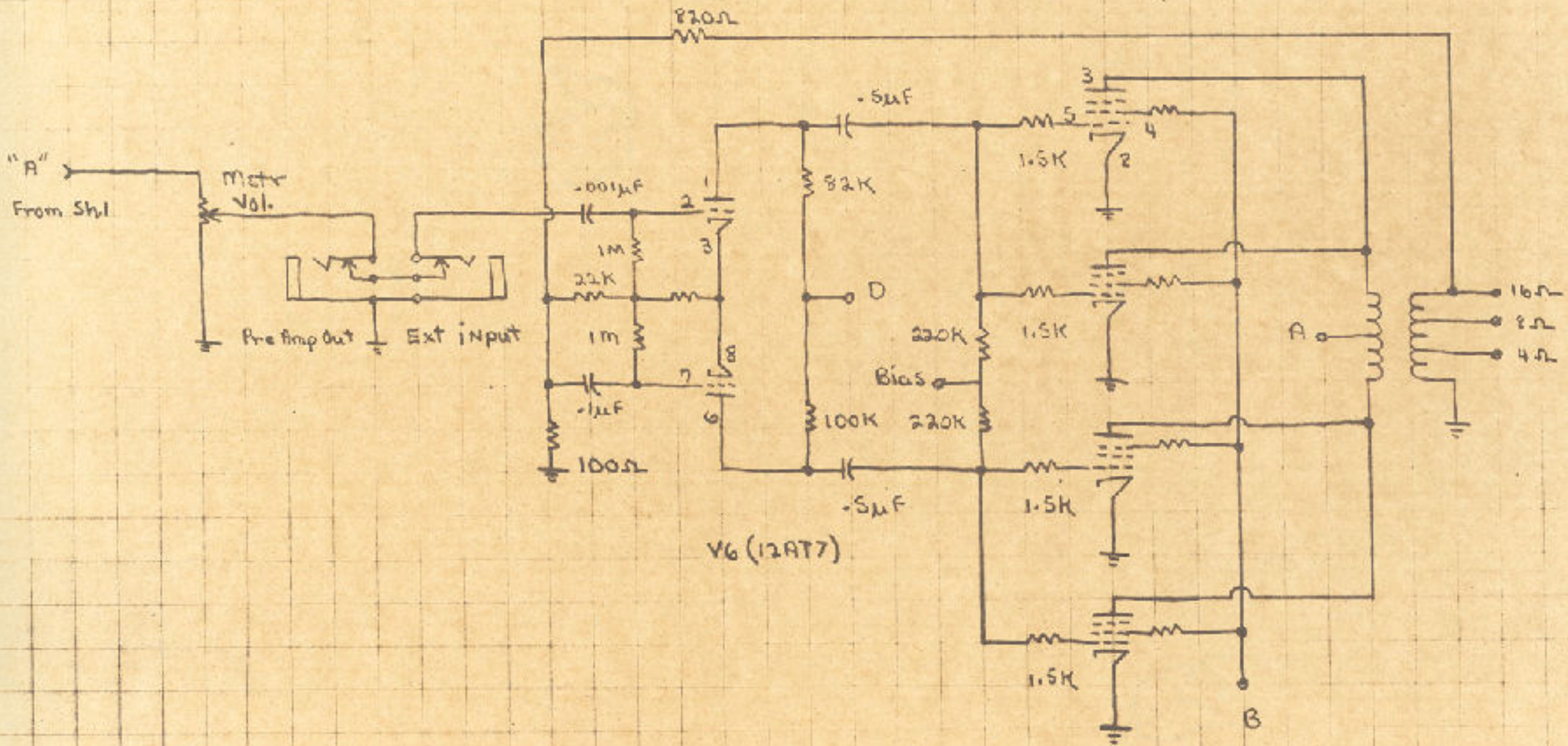
V1-B (7025)

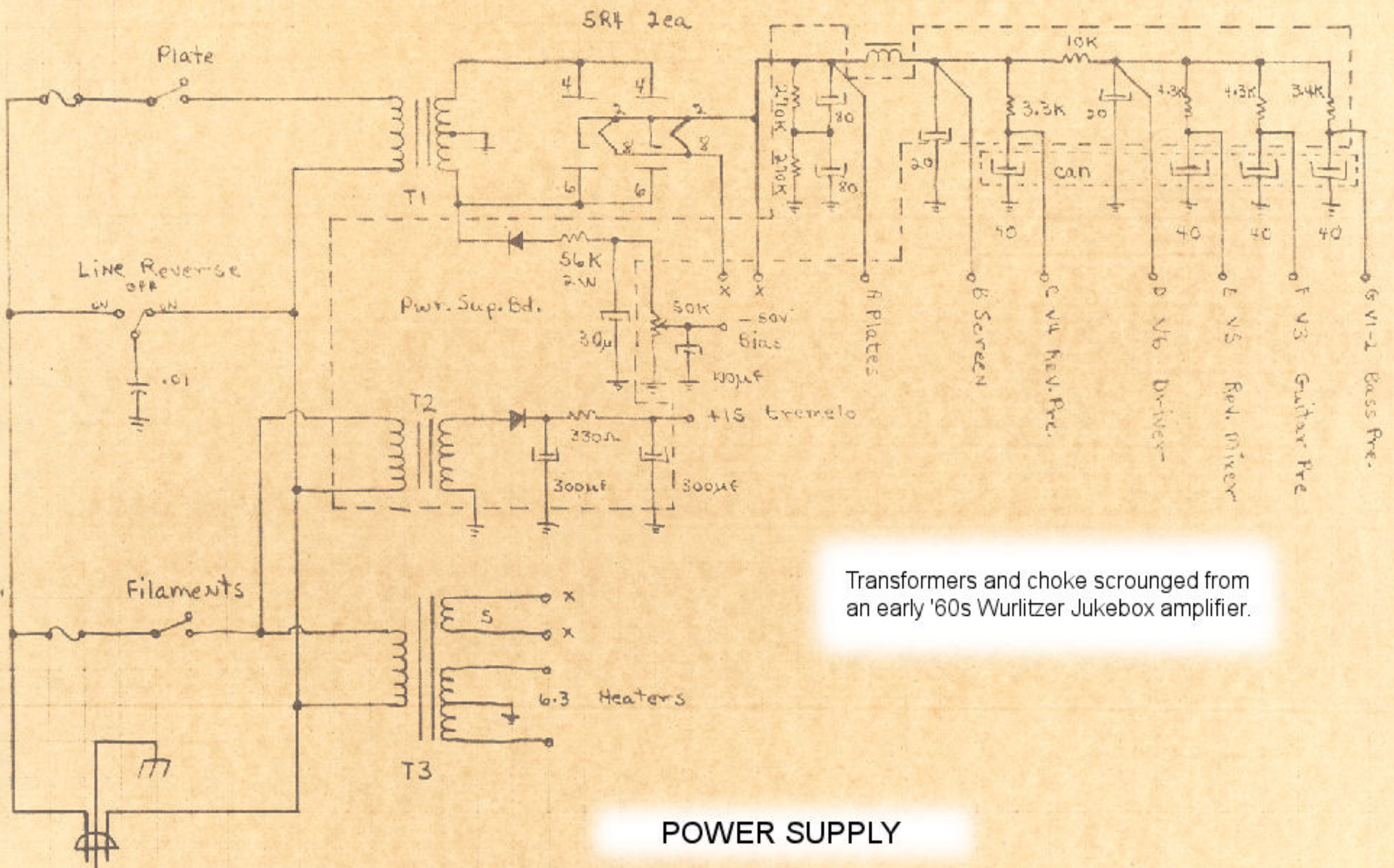
V2-B (7025)



Solid State phase shift oscillator driving an incandescent bulb rather than a neon results in a smoother sounding tremolo effect.

AB763 TWIN REVERB POWER AMP

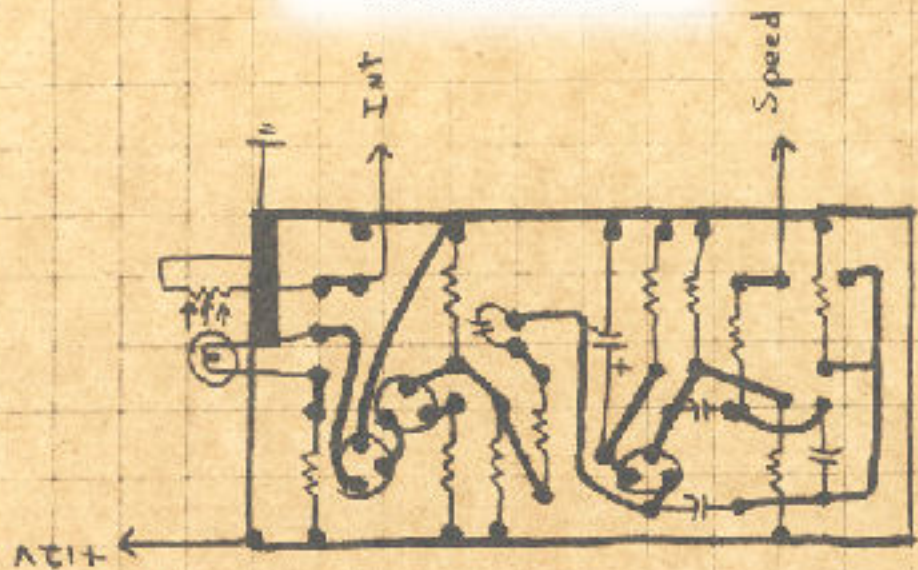




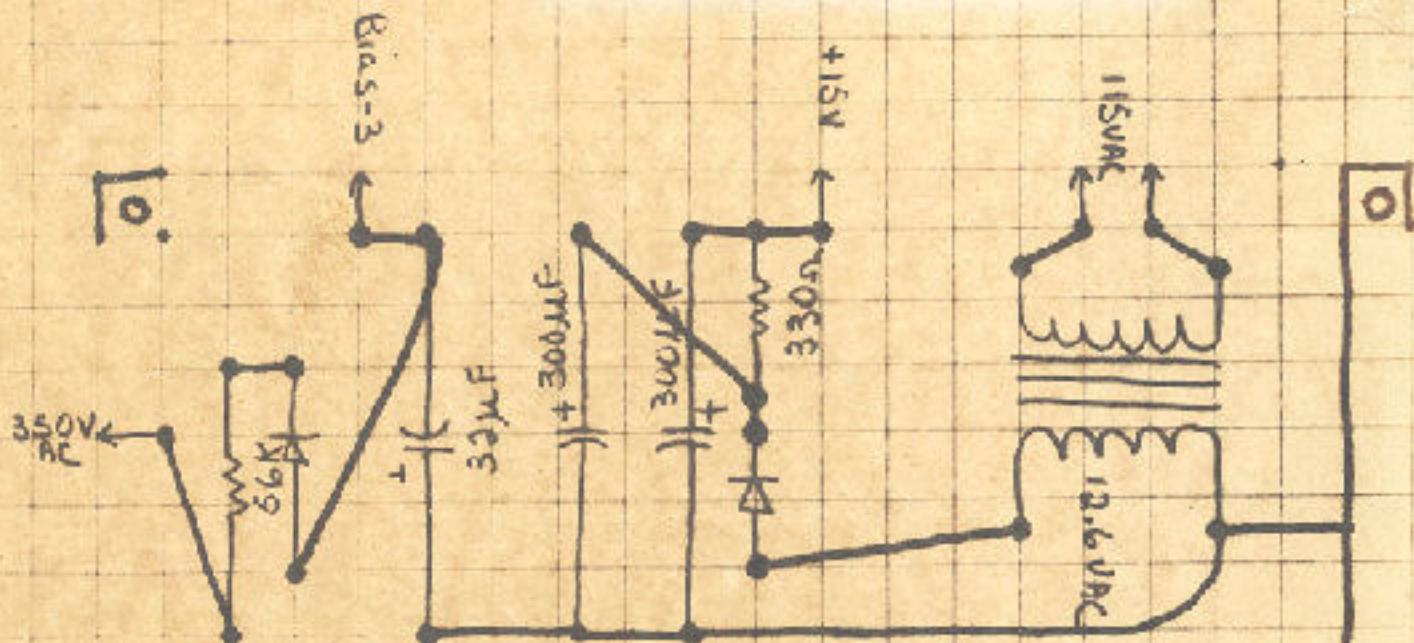
Transformers and choke scrounged from an early '60s Wurlitzer Jukebox amplifier.

POWER SUPPLY

TREMOLO



POWER SUPPLY



POWER AMP

