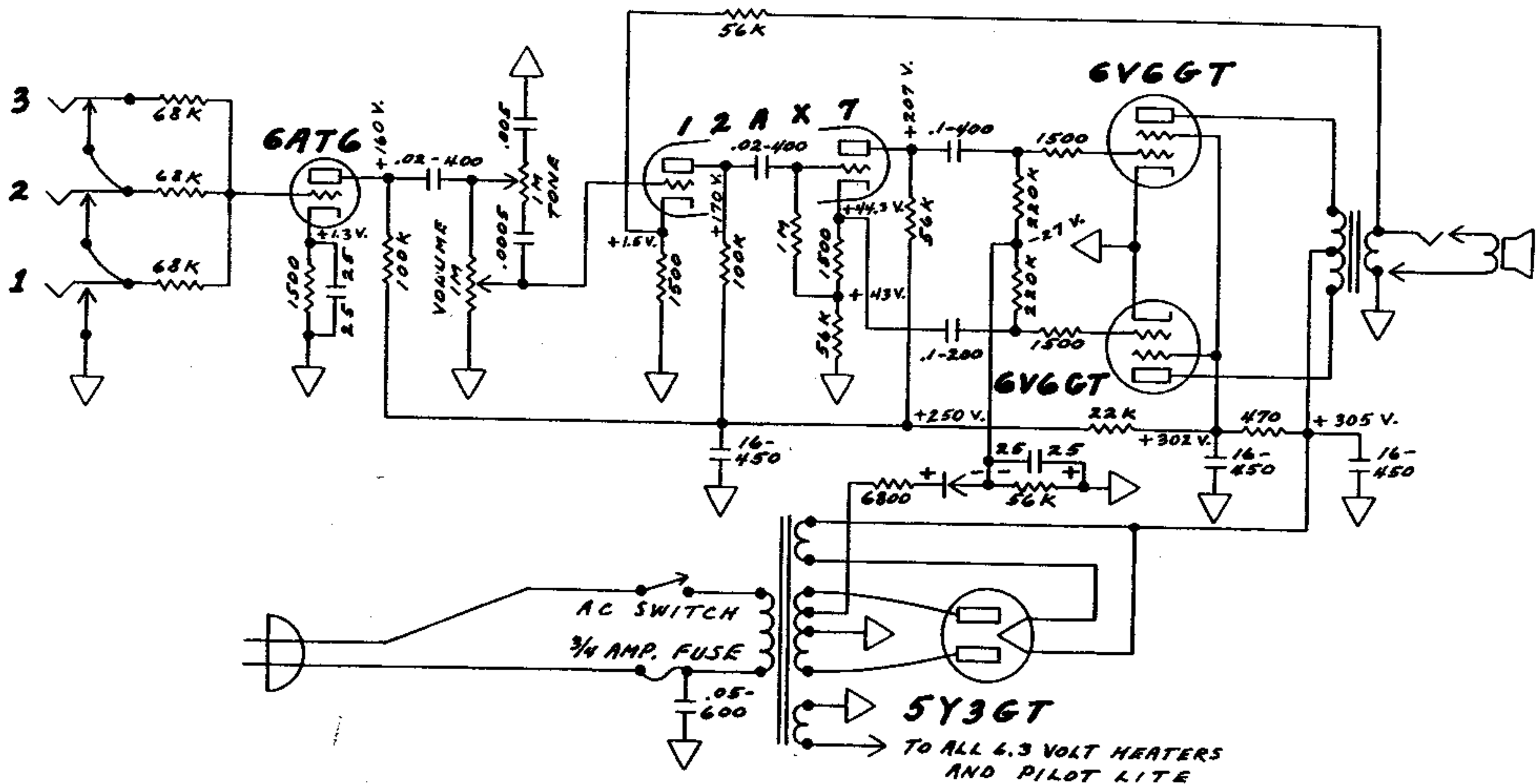


FENDER "HARVARD" SCHEMATIC

MODEL 5F10 F-EF

NOTICE

VOLTAGES READ TO GROUND
WITH ELECTRONIC VOLTMETER
VALUES SHOWN + OR - 20%

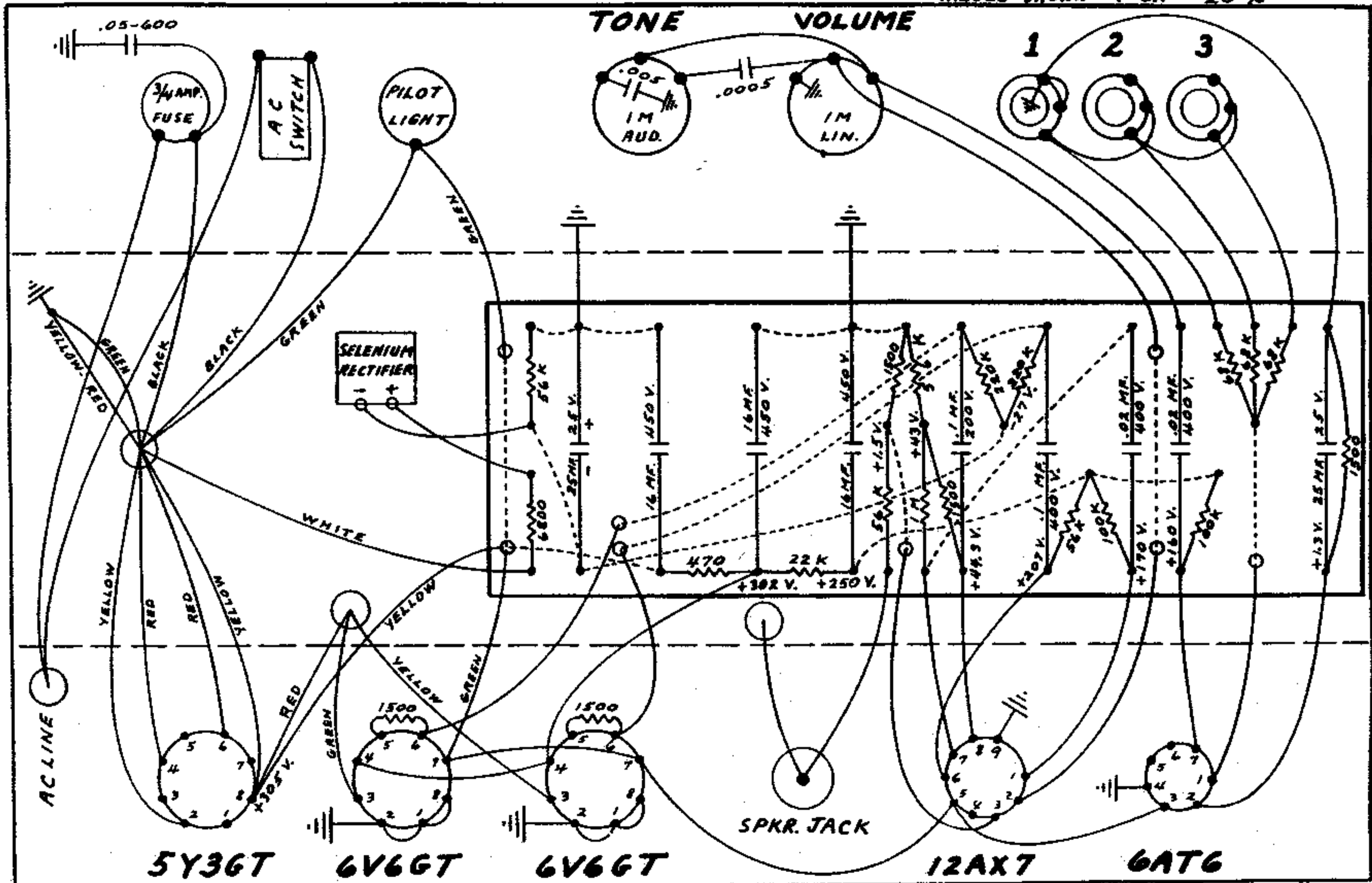


FENDER "HARVARD" LAYOUT MODEL 5F10

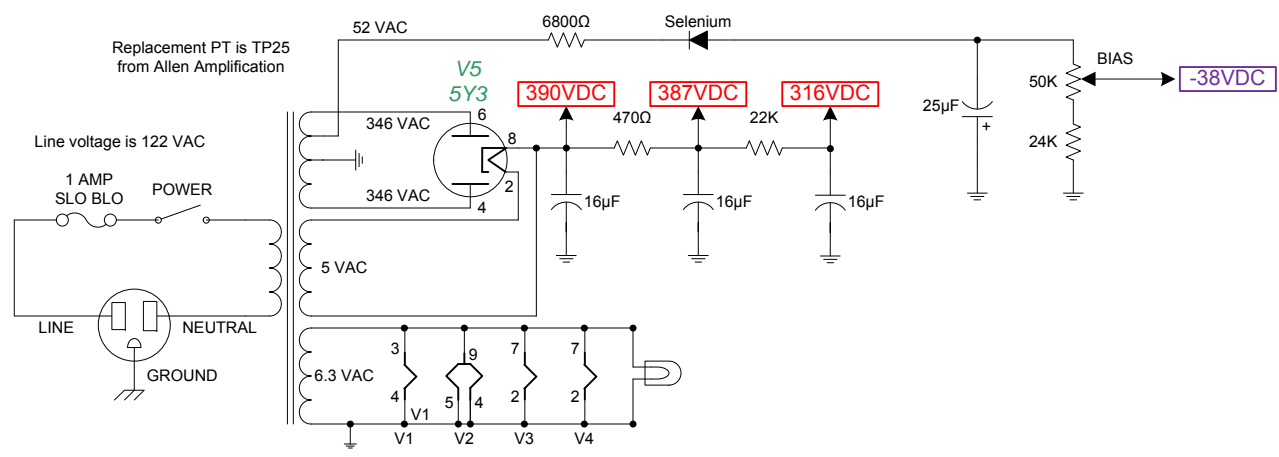
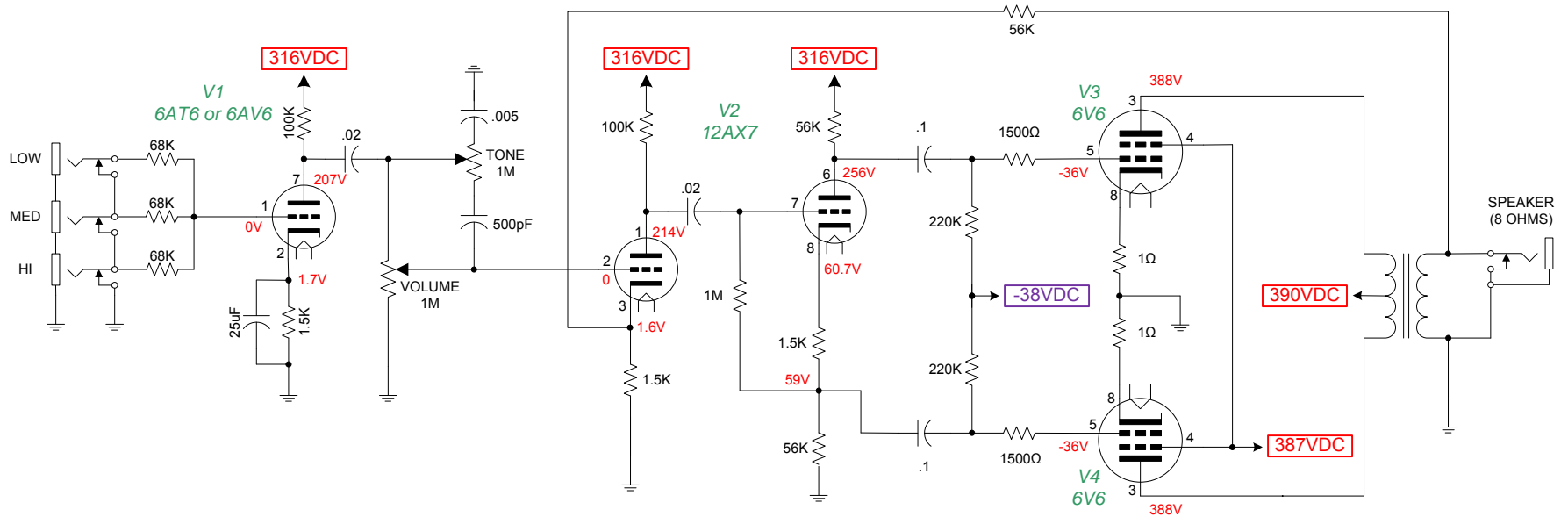
F-EF

NOTICE

VOLTAGES READ TO GROUND
WITH ELECTRONIC VOLTMETER
VALUES SHOWN + OR - 20%

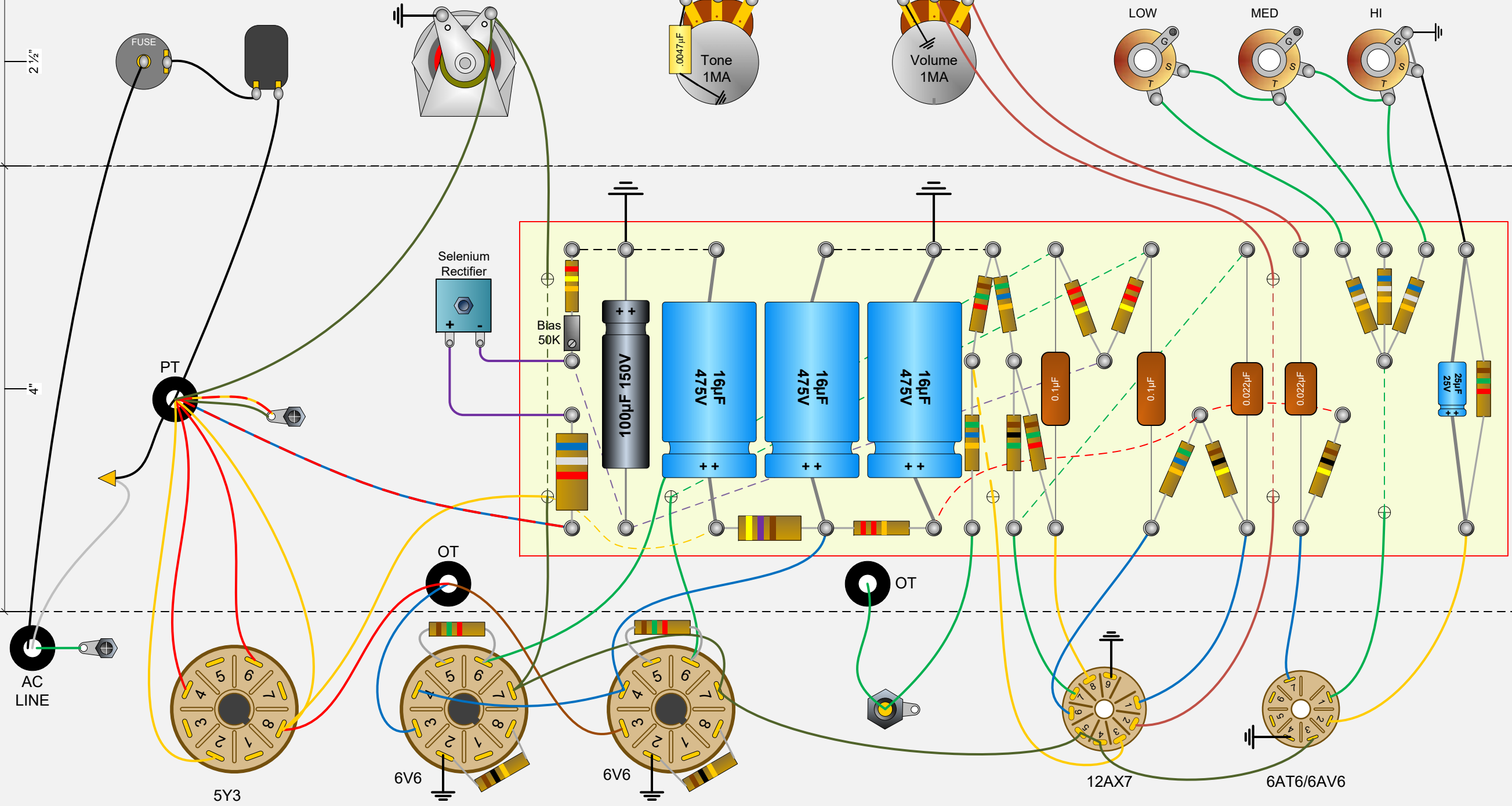


5F10 Fender Harvard drawn by Steve Luckey (11/18/2014)



2 1/2"

4"



AC LINE

PT

Selenium Rectifier

100µF 50V

Bias 50K

16µF 475V

16µF 475V

16µF 475V

0.1µF

1µF

10µF

10µF

25µF 25V

5Y3

6V6

6V6

12AX7

6AT6/6AV6

.0047µF
Tone
1MA

.0005µF
Volume
1MA

LOW

MED

HI

OT

OT

FUSE