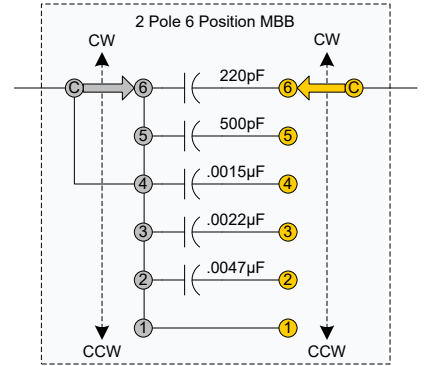
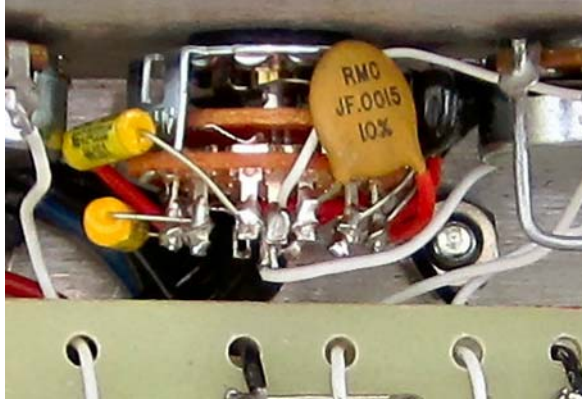
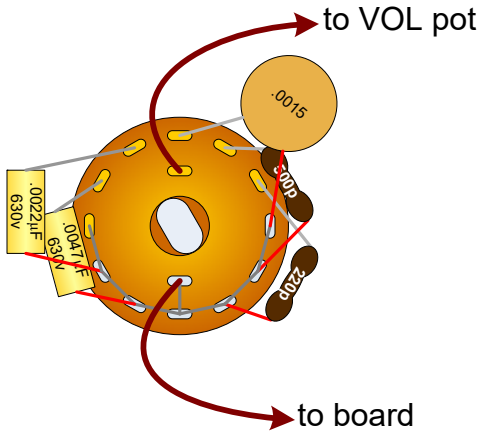


# Vox AC-15 Modifications



NOTE! All terminals for half the switch are jumpered together and just used as a tie point for the caps.

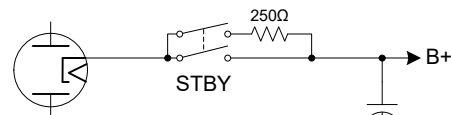
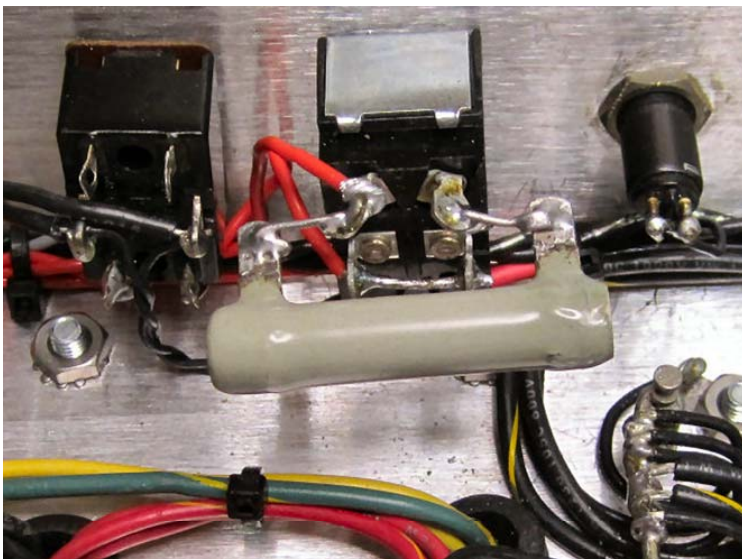
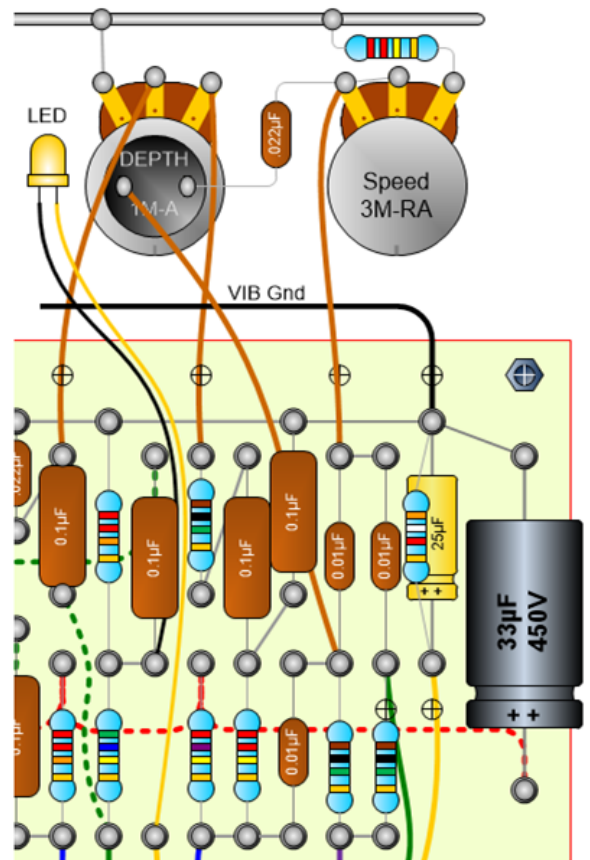
## More Brilliance

Replace the Brilliance switch with this 2 pole 6 position switch for more tone options. The extreme positions of this switch still maintain the original tone options.

## Delta Tremolo/Vibrato

Replace the original internal Depth preset and 3 position Speed switch with a front panel DEPTH pot (1M-A pot with push/pull switch) and a Speed pot for more control of the Trem/Vib effects. The switch is used to add another capacitor in parallel with one of the oscillator caps to lower the LFO frequency. The .022µF results in a very slow speed for some nice swampy Mississippi delta sounds.

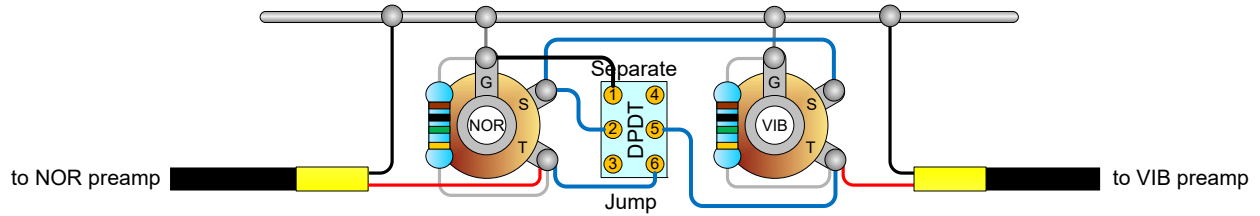
You can also replace R55 with a yellow or red 5 mm LED rated for 1.7v to 2.2v and about 20mA to use as a front panel blinky indicator. This is just pure eye candy and has no audible effect on the tremolo or vibrato.



Double Pole/3 Position Switch  
 Off – Both poles are open  
 Center – Top pole is closed  
 On – Both poles are closed

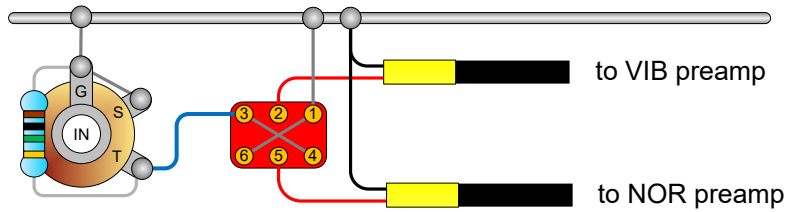
**Standby Plus!** This 3 position Standby switch allows you to choose between full B+ and a lower B+.

# Channel Select Modifications



**Jump!** This mod allows you to easily jump the channels.

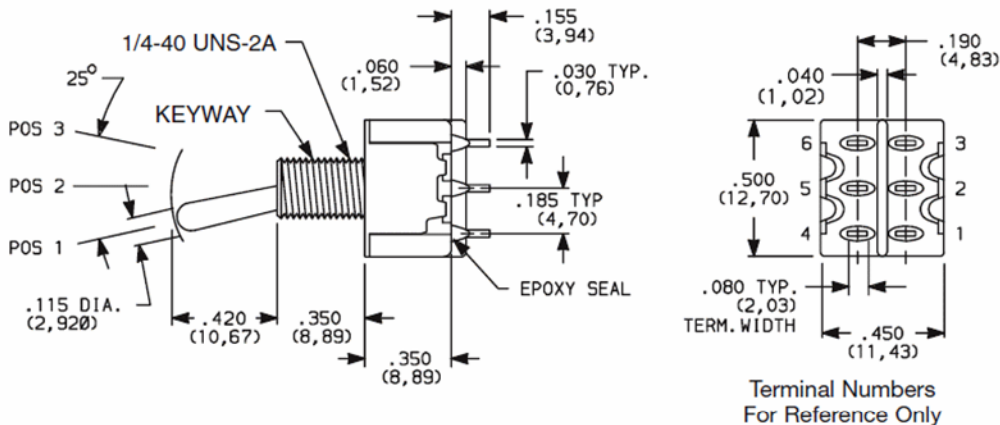
## Channel Select Switch (Alternate to Jump mod)



The switch is a C&K 7211 ON-ON-ON. It is not a standard DPDT switch. Center position selects both channels.

<b>7201</b>	ON	NONE	ON	2-3,5-6	N/A	2-1,5-4
<b>7203</b>	ON	OFF	ON			
<b>7205</b>	MOM.	OFF	MOM.	2-3,5-6	OPEN	2-1,5-4
<b>7207</b>	ON	OFF	MOM.			
<b>7208</b>	ON	NONE	MOM.	2-3,5-6	N/A	2-1,5-4
<b>7211 *</b>	ON	ON	ON			
<b>7213*</b>	ON	ON	MOM.	2-3,5-6	2-3,5-4	2-1,5-4
<b>7215*</b>	MOM.	ON	MOM.			

DPDT



# Vox AC-15 PPIMV Modification

